

TECHNICAL DATA SHEET

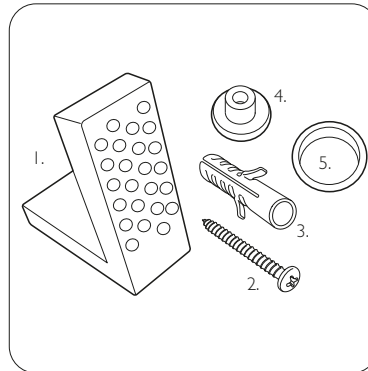
Micra Evo Comfort Height BTW WC

TAVISTOCK

NO.	Description	Product Code	Fixings included	Gross Weight
1	Comfort BTW Pan	BTWC950S	YES	28KG
2	Soft Close Slim Toilet Seat	DC14037	YES	2KG



Floor Fixings

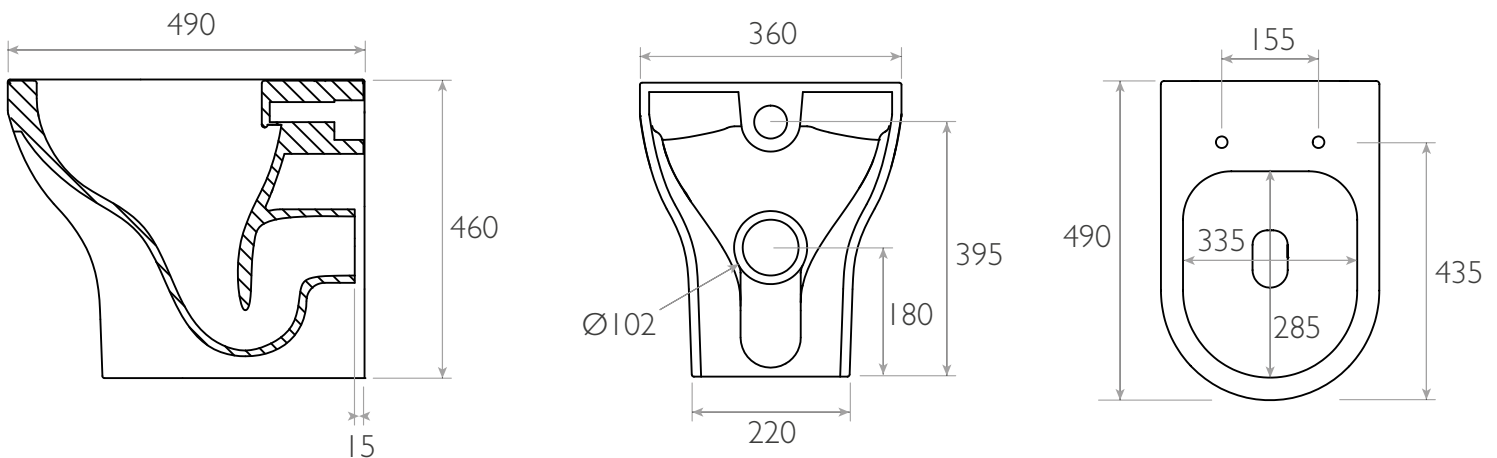


- 1. 2x Nylon Floor Bracket
- 2. 4x Stainless Steel Screws
- 3. 2x Nylon Screw Plugs
- 4. 2x Nylon Screw Collars
- 5. 2x Nylon Collars Caps (Metalic Finish)

Spare Code: SP14211

DIMENSIONS

DIAGRAMS NOT TO SCALE | ALL DIMENSIONS IN MM TOLERANCE OF ± 5MM
ALL PRODUCTS CONFORM TO BRITISH STANDARDS



*Dimensions are subject to change, customers are advised to measure actual product before commencing installation.

**Fixing point dimensions are for guidance only. The positions of fixings must be checked when product is received.

FAQs

Q - Rim Type?
A - Rimless

Q - What is the flush volume?
A - 6/3L

Q - Are there any other compatible seats?
A - Yes, a wrap over seat is available using product code TS950S

Key Dimensions Descriptions	Key Dimensions (mm)
Front to Back Footprint	360mm
Left to Right Footprint	220mm
Bowl Front to Back	335mm
Bowl Left to Right	285mm
Pan Height	460mm
Pan Overall Front to Back	490mm
Centre Waste Outlet to Floor	180mm + 15mm - 10mm
Width of Void	180mm
Is there a Ceramic Brace Bar	No
Distance from Spigot to back of Pan	15mm