

TECHNICAL DATA SHEET

Micra Evo Slim Soft Close Toilet Seat - DCI 4037

TAVISTOCK

NO.	Description	Product Code	Fixings included	Gross Weight
I	Soft Close Toilet Seat	DCI 4037	YES	2.4KG



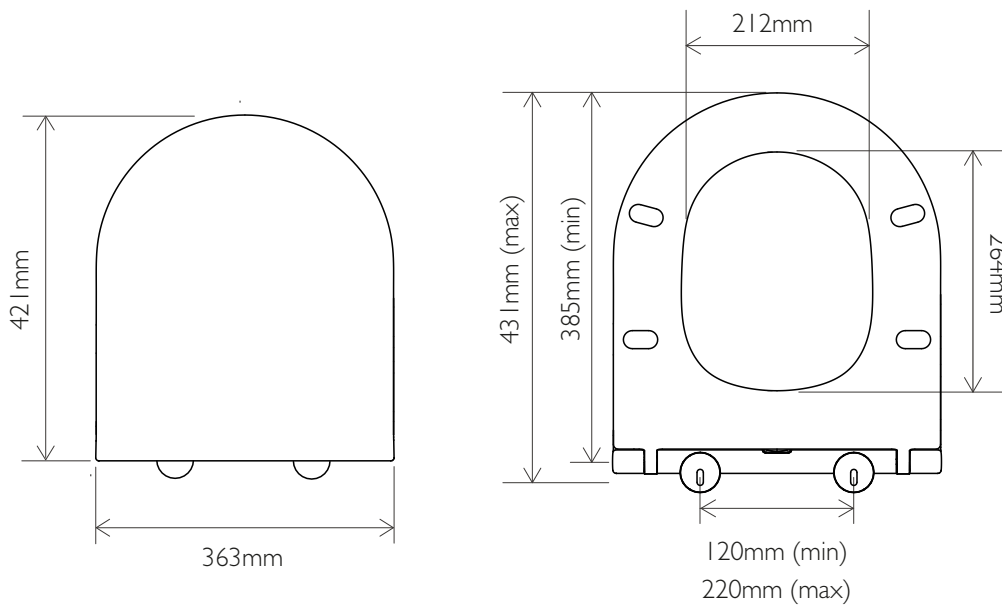
Spares Codes:

Micra Evo Slim Hinge Fixing Kit - SPI7575

Micra Evo Slim Buffer Pack (2x Lid/ 4x Ring per Pack) - SPI7583

DIMENSIONS

DIAGRAMS NOT TO SCALE | ALL DIMENSIONS IN MM TOLERANCE OF ± 5 MM
ALL PRODUCTS CONFORM TO BRITISH STANDARDS



*Dimensions are subject to change, customers are advised to measure actual product before commencing installation.

FAQs

Q - What's the maximum test load of the seat?

A - 150kg

Q - What are the fixings made from?

A - Stainless Steel Cover Plates/Screws, Nylon Anchor Plates, Top Fix Inserts

Key Dimensions Descriptions	Key Dimensions (mm)
Seat/Lid Front to Back	421mm
Seat/Lid Left to Right	363mm
Ring Hole Front to Back	264mm
Ring Hole Left to Right	212mm
Seat Overall Thickness	39mm
Width of Back of Seat	363mm