

NOVELLA CABINETS

BOX CONTENTS: Novella Cabinet | Instructions booklet | 2x Shelves | 1 x VM02 Clip on Vanity Mirror | Fixing Kit

FAQ's

	Units	NVC050	NVC060	NVC080
Internal dimensions (L x W x D)	mm	611 x 466 x 105	611 x 566 x 105	611 x 766 x 105
Shelf dimensions (L x W x D)	mm	461 x 100 x 5	561 x 100 x 5	761 x 100 x 5
Max shelf spacing	mm	350		
Distance between door hinges	mm	411		
Individual door dimensions (L x W x D)	mm	500*700	(2x) 300*700	(2x) 400*700
Door opening angle	°	110		
Depth with door fully open	mm	625	425	525
Hanging bracket centres	mm	215	265	365
What is the thickness of the mirror glass door?	mm	21mm		
Where is the switch sensor located?	-	RH side under the cabinet	RH side under the cabinet	RH side under the cabinet
Can the LED lighting be replaced?	-	No – But doors are replaceable.		
Can the switch sensor be replaced?	-	Yes		
What size fuse should I use?		Seek advice from an electrician		
How do I turn on the demister pad?	-	The demister pad will turn on when the LEDs are turned on.		
Are illuminated cabinets/mirrors supplied with mains cable?	-	All illuminated cabinets/mirrors are supplied with a removeable 500mm mains cable. There is ample storage for excess cable in the back of the unit.		

Please note:

- Dimensions are subject to change. Customers are advised to measure actual product dimensions before commencing installation.
- Fixing point dimensions are for guidance only/the positions of wall fixing must be checked when product is received.
- The LED (lm) values represent the output of the LED. Actual product level Lumen output may vary depending on the diffuser material i.e., glass or acrylic.

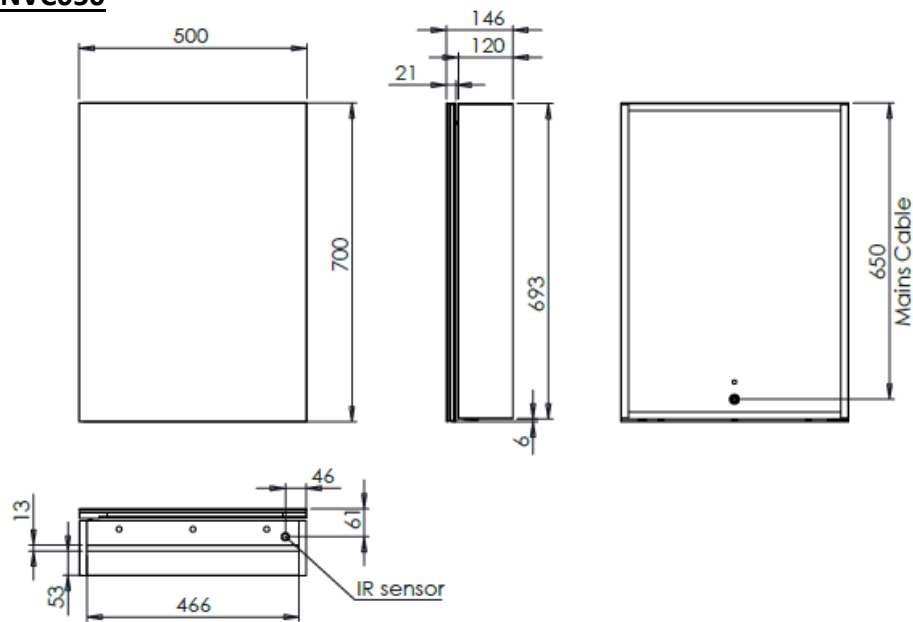
TECHNICAL DATA SHEET

ELECTRICAL SPECIFICATION

	Input Voltage	Lamp Type	Total Wattage (LED & Demist)	Demist (W)	Demist Size (mm)	LEDs (W)	LED (lm)	Energy Rating	CCT (K)	CRI	IP Rating	Electrical Class
NVC050	220-240V 50Hz	12V DC LED Lamp	73.00	12	200*300mm	25.00	1554	G	2700 - 6500	90	IP44	Class I
NVC060	220-240V 50Hz	12V DC LED Lamp	98.50	24	200*300mm (*2PCS)	38.50	2496	G	2700 - 6500	90	IP44	Class I
NVC080	220-240V 50Hz	12V DC LED Lamp	104.50	24	200*300mm (*2PCS)	44.50	2866	G	2700 - 6500	90	IP44	Class I

TECHNICAL DRAWINGS

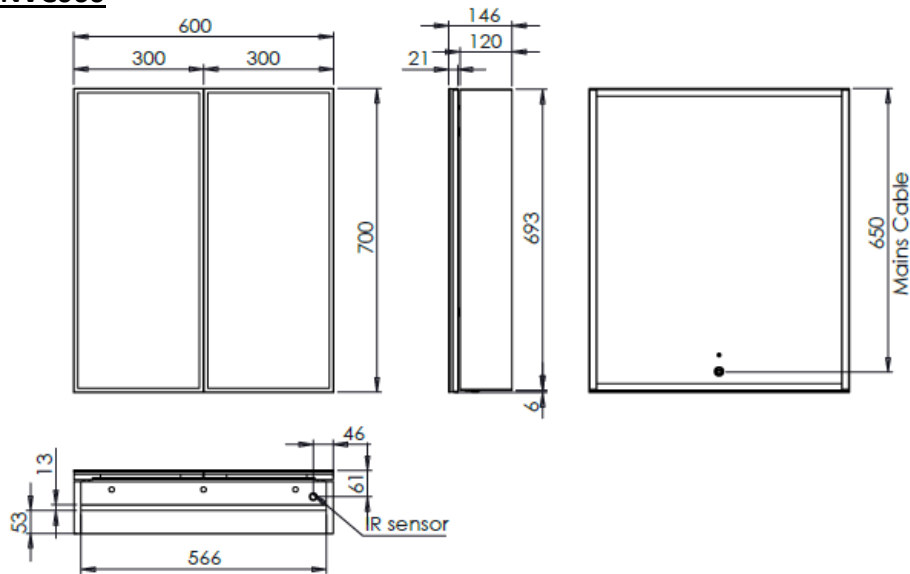
NVC050



TECHNICAL DATA SHEET

ROPER RHODES®

NVC060



NVC080

