

NEUTRON-SF

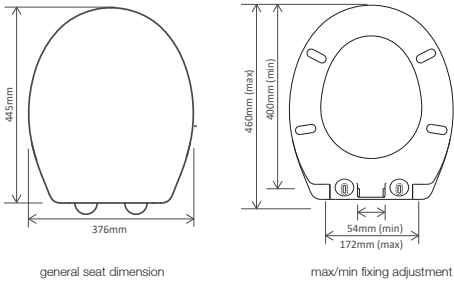
EN

Soft Close Quick Release
Toilet Seat

FITTING INSTRUCTIONS

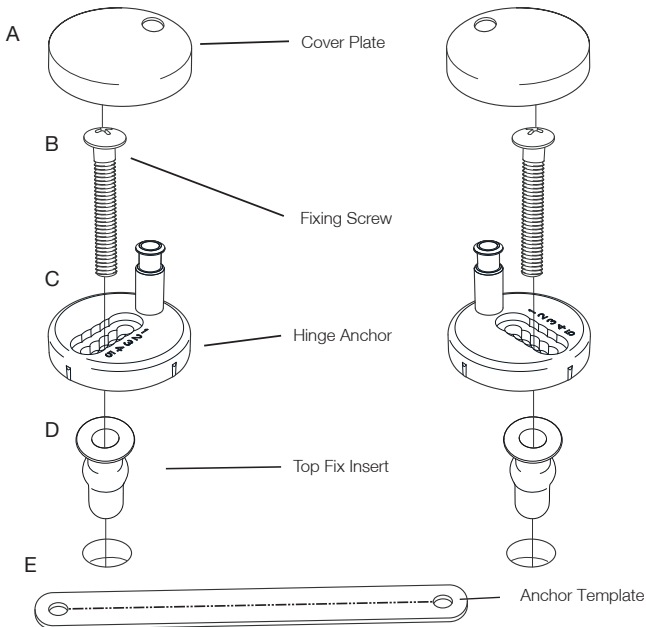
Please read carefully before attempting to fit the seat & refer to the 'does it fit' diagram below to ensure it's suitable for your toilet. Please make sure the warnings and after-care instructions are made available for the end user to read.

Does it fit?



Please can you measure before opening the pack

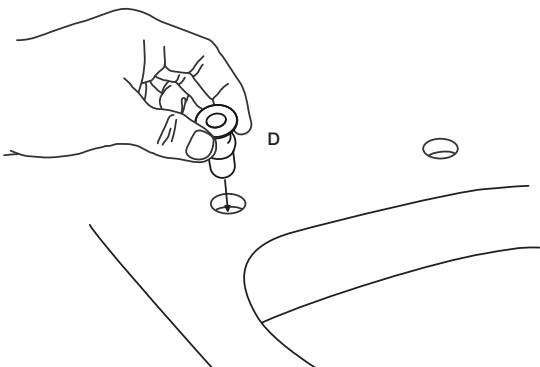
Top Fix Installation



Note - alternative nuts and washers are supplied if you wish to secure the seat from underneath the deck of the toilet pan. If so dispose of the black top fix inserts and tighten with the securing key supplied.

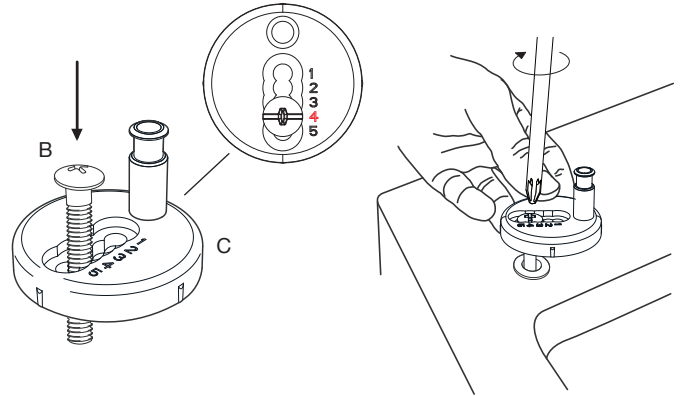
Instructions A - Fitting on Minerva Pan

- 1 Push top fix inserts into toilet pan holes.



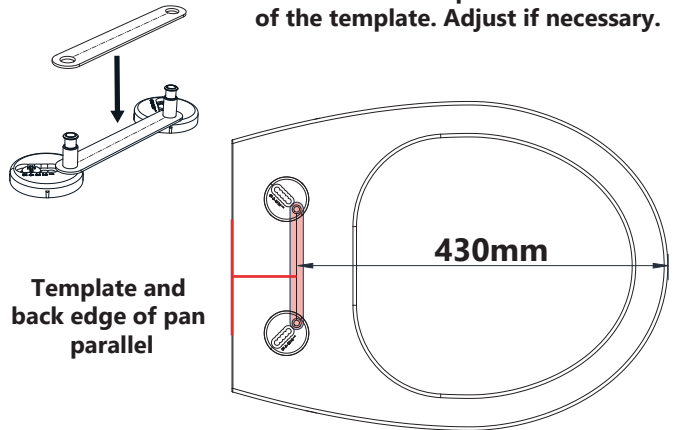
If difficult to push in, lubricate the rubber insert with water.

- 2 If fitting on alternative pan, please proceed to instructions B. Insert screw through hole 4 (marked on the plate) of the hinge anchor and into the top fix inserts, fixing semi-tight to the pan, to allow for adjustment.

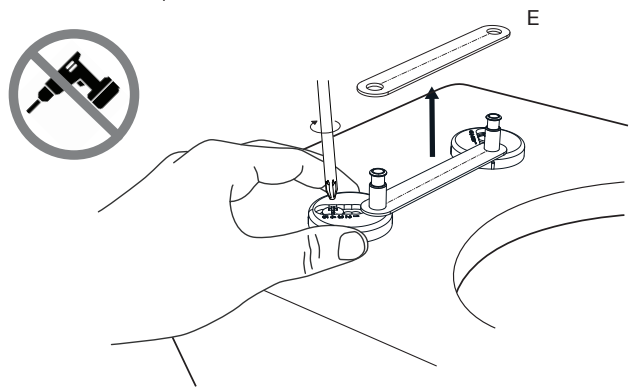


- 3 Using the anchor template provided, place over the two pins, making sure the template is parallel to the back of the pan and the pins are facing toward the bowl.

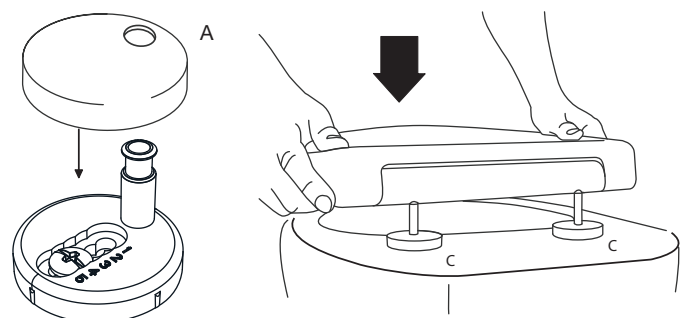
Check there is a distance of 430mm (+/-3) from the front of the pan to the centre line of the template. Adjust if necessary.



- 4 Once the template is in place and correctly positioned (430mm +/- 3 from the front of the pan to centre line of the template), hold the hinges securely and tighten the fixing screws with a screw driver. Remove the template.



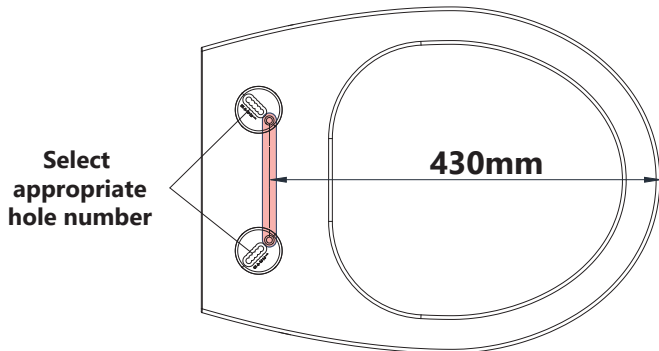
- 5 Add the cover cap and click seat in place.



Instructions B - Fitting on Alternative Pan

- Place the template over the anchor pins, selecting the appropriate hole numbers (on the anchors) so that the 430mm dimension from the front of the pan to the centre line of the template is met.

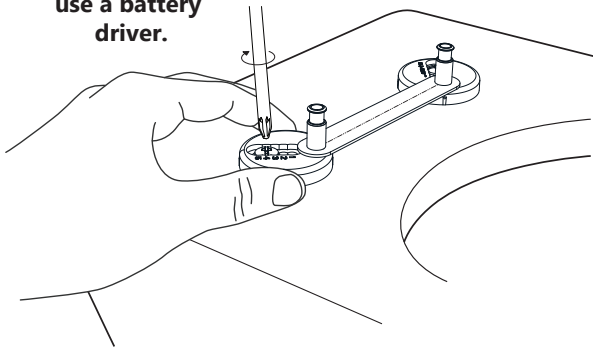
Note: Selected anchor numbers must be matching



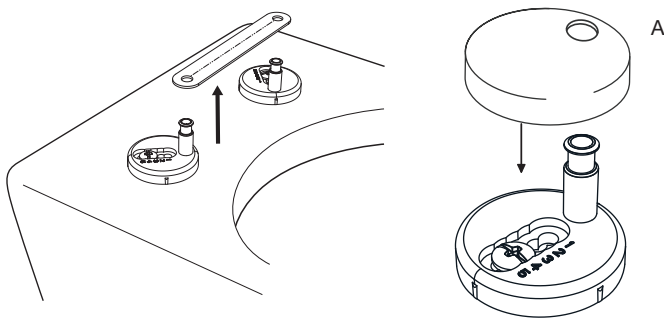
- Once the 430mm dimension shown above is met and the template is parallel to the back edge, insert the bolts then tighten using a screw driver.



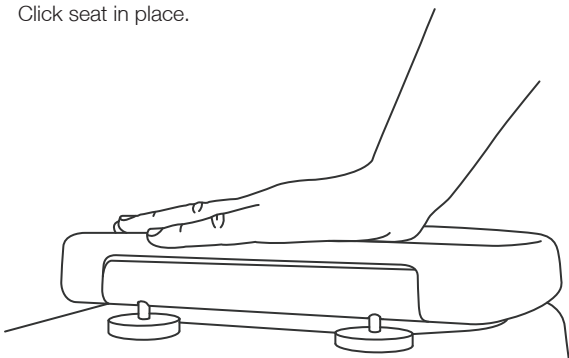
Secure as tightly as possible by hand. Do NOT use a battery driver.



- Remeasure the distance, making sure the 430mm dimension is met and remove the template and add the cover cap.



- Click seat in place.

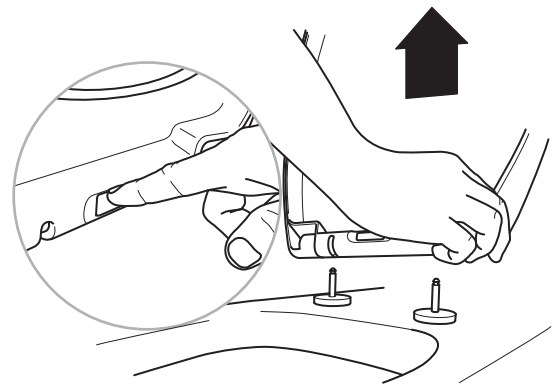


WARNINGS

- The fittings pack contains small items which should be kept away from young children.
- The toilet seat can be dangerous if incorrectly installed. Assembly should be carried out by a competent person. No liability will be accepted for damage or injury caused by incorrect product installation or assembly.
- Do not stand on the lid or ring of your toilet seat.
- After a few days check that the fixings are still tight. This is necessary as the rubber components will compress during the first few days.
- Periodically check all fixings to ensure none have come loose and re-tighten where necessary. Please take care when handling or moving the toilet seat as careless handling may cause damage or injury.
- Never over rotate the seat open when it is removed from the WC as this can cause damage to the hinges.
- Do not force down the seat ring or lid as this may compromise the performance of the soft close hinges.

AFTERCARE INSTRUCTIONS

Removing seat for cleaning



Clean surfaces with a soft damp cloth and mild soap solution



Do not scrub or scour



Do not use abrasive cleaning agents. If using bleach, abrasive or corrosive cleaning agents inside the toilet bowl, ensure that these do not come into contact with the seat. Keep the seat in the upright position until all cleaner has been flushed away.



Do not stand on the lid or ring of your toilet seat

For Technical Help Call:
01225 303 900

ROPER RHODES®

Roper Rhodes Ltd | Brassmill Lane Trading Estate | Bath | BA1 3JF
E: sales@roperrhodes.co.uk
W: www.roperrhodes.co.uk