

TECHNICAL DATA SHEET

Niche Corner Basin 40x42cm ITH - DCI4006

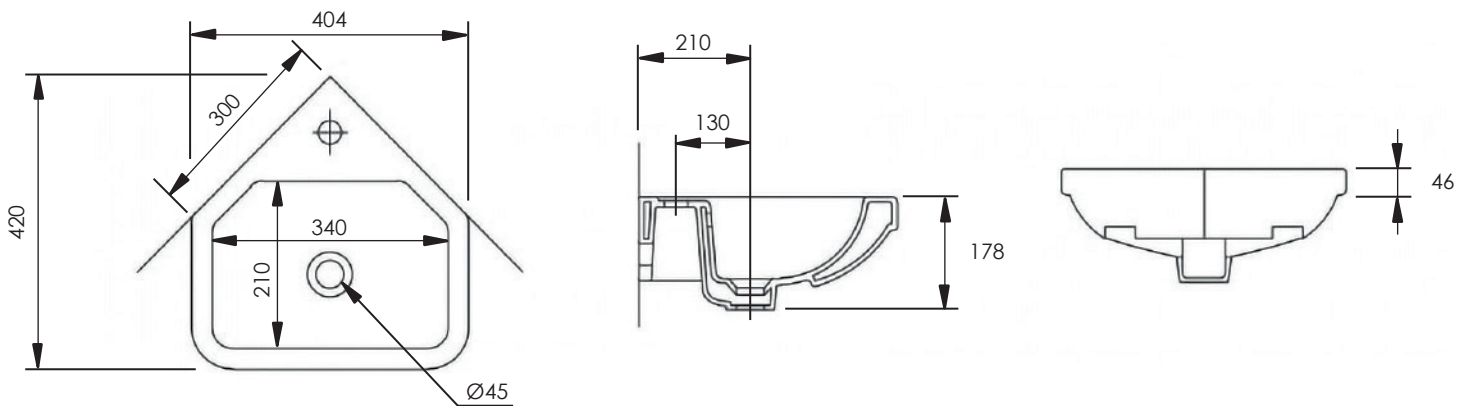
TAVISTOCK

NO.	Description	Product Code	Fixings included	Gross Weight
I	Niche Corner Basin 40x42cm ITH	DCI4006	NO	8KG



DIMENSIONS

DIAGRAMS NOT TO SCALE | ALL DIMENSIONS IN MM TOLERANCE OF ± 5MM
ALL PRODUCTS CONFORM TO BRITISH STANDARDS



*Dimensions are subject to change, customers are advised to measure actual product before commencing installation.

**Fixing point dimensions are for guidance only. The positions of fixings must be checked when product is received.

FAQs

Q - What is the maximum water depth of the basin?
A - 76mm up to the overflow.

Q - Can this basin be wall hung?
A - Yes. Fischer bolts are supplied for use in solid walls.

Q - Does the basin have an integral overflow?
A - Yes

Key Dimensions Descriptions	Key Dimensions (mm)
Internal Bowl Depth	105mm
Internal Bowl Front to Back	210mm
Internal Bowl Left to Right	340mm
Tap Ledge	N/A
Taphole Centre to Waste Centre	130mm
Taphole Centre to Back of Basin	80mm
Waste Centre to Back of Basin	210mm
Width of Rear Basin	404mm
Basin Depth	420mm