

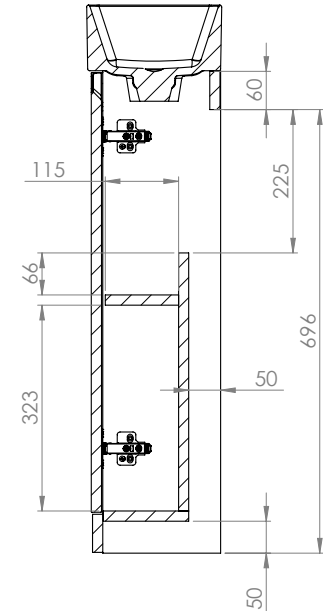
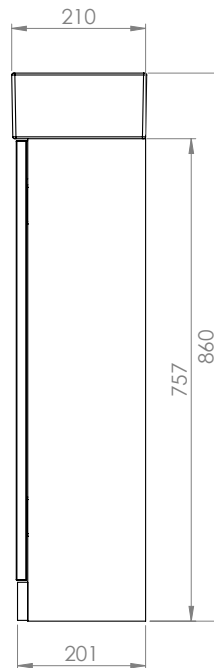
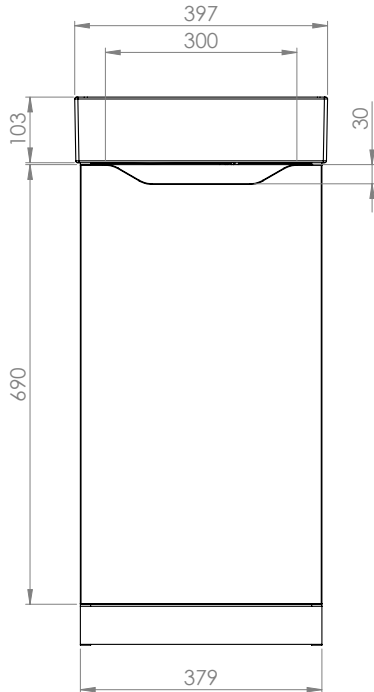
Technical Data Sheet

Nimble Floor Mounted Cloakroom Unit

What's in the box: 1x NIM400F.X

TAVISTOCK
inspiring bathrooms

*Reference basin TDS for further info



Diagrams not to scale
All dimensions in mm
Tolerance of +/-5mm

Materials

Carcass: 16mm painted MDF

Fascia Components: 18mm painted MDF

**Dimensions are subject to change, customers are advised to measure actual product before commencing installation.

***Fixing point dimensions are for guidance only/the positions of wall fixing must be checked when product is received.

FAQs

Q: How big is the plumbing void?

A: 50mm.

Q: Are the hinges soft close?

A: Yes, the hinges are soft close.

Q: How deep is the unit with door open?

A: Approx 566mm at 90°.

Q: Can the doors be adjusted?

A: The door can be adjusted as detailed in the supplied instructions

Q: Is the shelf removable?

A: No, the shelf can't be removed.

Q: What is the shelf capacity?

A: Shelf maximum depth: 115mm.

Q: How many shelves are there?

A: There is one shelf and a base within the unit.

Q: Is the shelf adjustable?

A: No, the shelf is in a fixed position.

Q: What is the interior finish of the unit?

A: Dark Grey in all finishes apart from Matt White which has White internals.

NOTE: Colours unique to Tavistock - no RAL code available