

Please retain for future reference

This product must be installed by a qualified fitter or plumber in accordance with and meet the requirements of the Water Supply (Water Fittings) Regulations 1999, the Water Supply (Water Fittings) (Scotland) Byelaws 2014 and the Water Supply (Water Fittings) Regulations (Northern Ireland) 2009

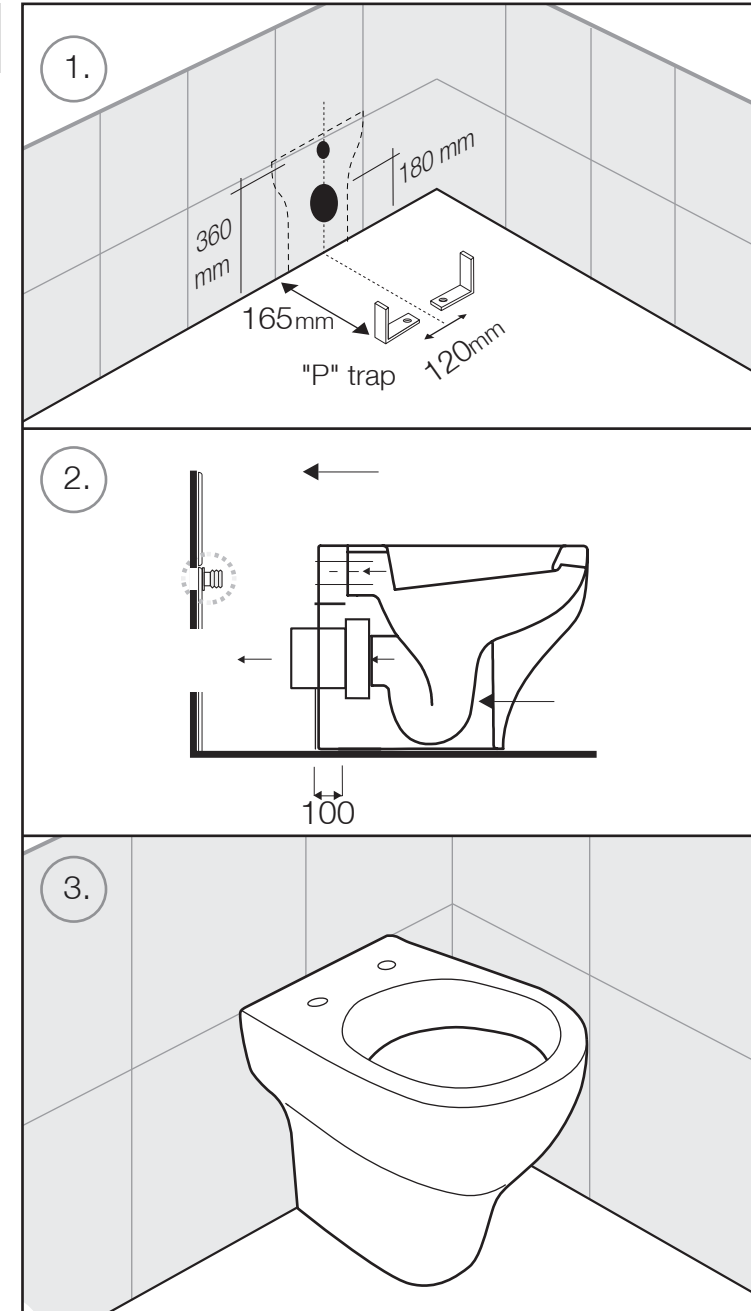
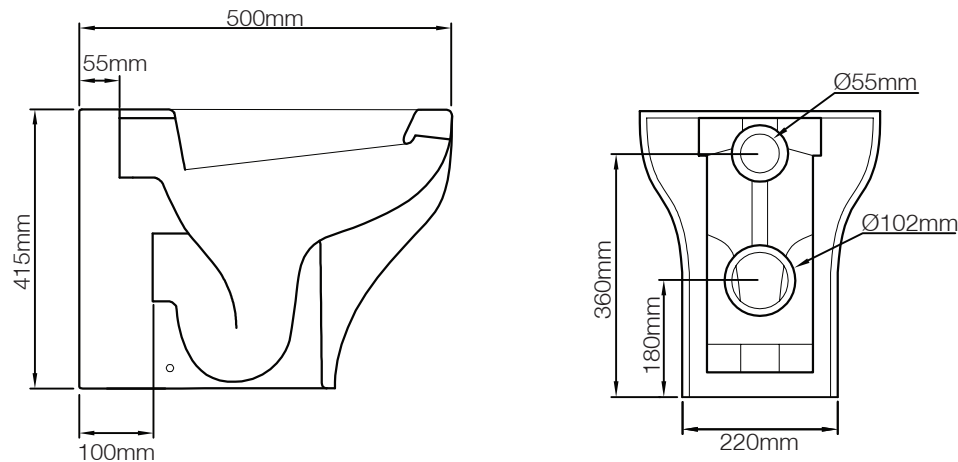
INSTALLATION INSTRUCTIONS

This pan is to be used with a concealed cistern. Please refer to the cistern manufacturer's instructions for fitting information.

It is recommended that the back to wall pan is first positioned in the desired installation area and its final position marked faintly with a pencil. This is to ensure that the pan can be located quickly and all necessary fittings can be positioned correctly.

1. Position the floor fittings, flush pipe from the concealed cistern and the soil pipe as shown in the diagram. Ensure that the flush pipe is trimmed to the correct length to fit into the inlet of the pan.
2. Connect the cistern inlet into the back of the pan and connect the soil pipe before aligning the pan with the fixing brackets on the floor. It is important that the fixing brackets are perfectly aligned and that the pan sits flush with the wall.
3. Secure the pan to the floor fixing brackets with the fittings provided.

DIMENSIONS



Customer Services:

Roper Rhodes, Brassmill Lane Trading Estate, Bath, BA1 3JF
T. 01225 303900 | F. 01225 448877 | E. sales@roperrhodes.co.uk | W. www.roperrhodes.co.uk