

Please retain for future reference

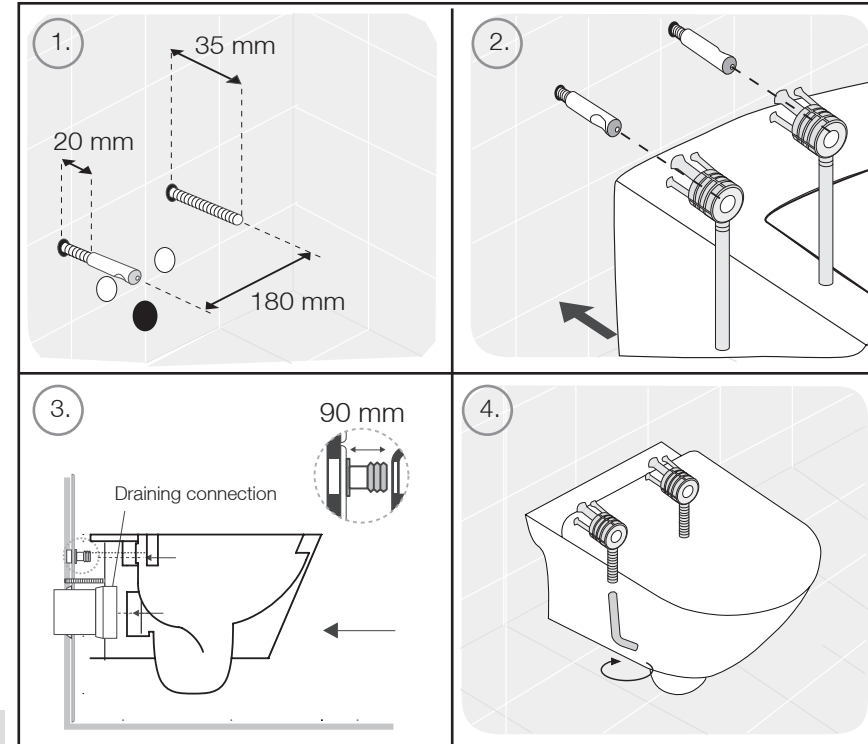
This product must be installed by a qualified fitter or plumber in accordance with and meet the requirements of the Water Supply (Water Fittings) Regulations 1999, the Water Supply (Water Fittings) (Scotland) Byelaws 2014 and the Water Supply (Water Fittings) Regulations (Northern Ireland) 2009

INSTALLATION INSTRUCTIONS

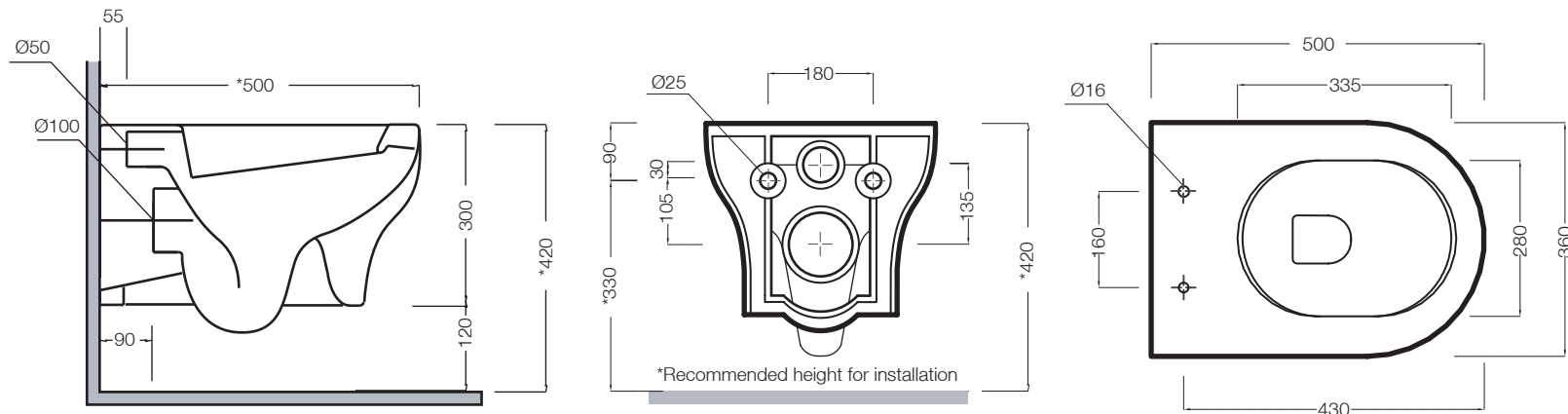
This pan is to be used with a wall hung pan frame. Please refer to the frame manufacturer's instructions for fitting information of the frame.

It is recommended that the wall hung pan is first positioned in the desired installation area and its final position marked faintly with a pencil. This is to ensure that the pan can be located quickly and all necessary fittings can be positioned correctly.

1. Prepare the waste holes and frame fixing rod positions as shown in the picture and adjust if necessary.
2. Screw on the two steel sleeves onto the fixing rods with the concave surfaces facing the floor and offer up the pan to the fixing rods.
3. Ensure that 90mm of the cistern flush pipe is accessible to make the connection with the pan. It may be useful to lubricate both parts of the connection first to make this easier.
4. Insert the two fittings into the pan as shown. Place the WC on the fixing rods, and secure by tightening the rods from underneath the pan. It is recommended that these fixings are tightened alternately to achieve an equal fit against the wall.



DIMENSIONS



Customer Services:

Roper Rhodes, Brassmill Lane Trading Estate, Bath, BA1 3JF
 T. 01225 303900 | F. 01225 448877 | E. sales@roperrhodes.co.uk | W. www.roperrhodes.co.uk