

TECHNICAL DATA SHEET

Note 540 SCT Slim Depth Basin Matt White - N2SCBASMW

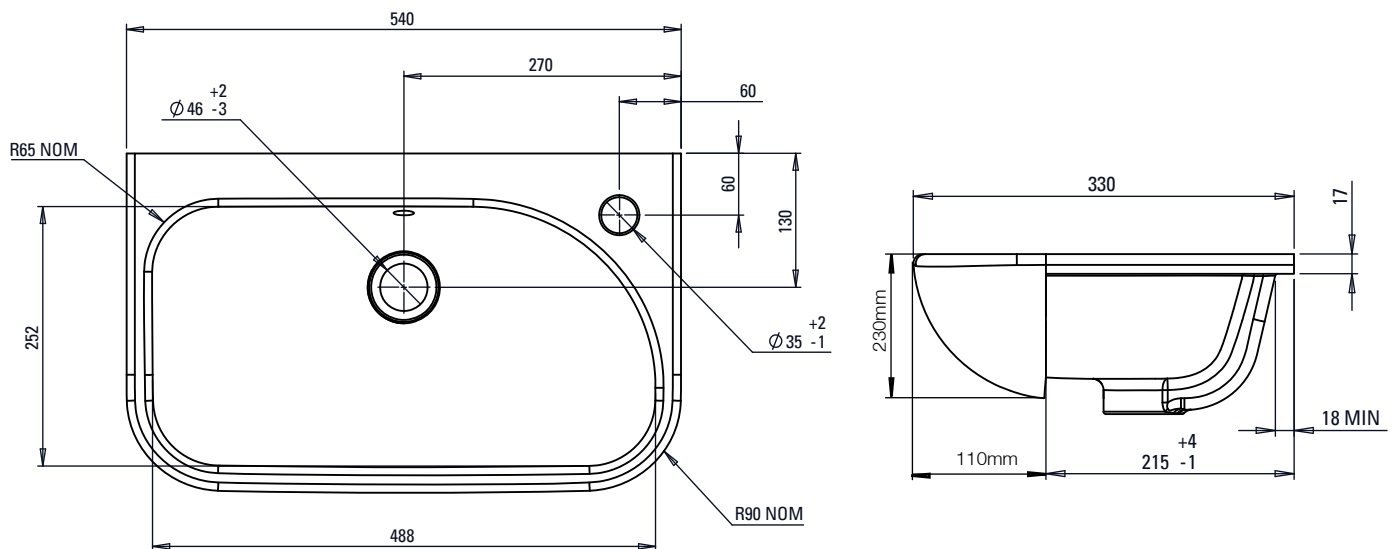
ROPER RHODES®

NO.	Description	Product Code	Template included	Gross Weight
1	540 Semi Recess Basin - Slim Depth	N2SCBASMW	YES	9KG



DIMENSIONS

DIAGRAMS NOT TO SCALE | ALL DIMENSIONS IN MM TOLERANCE OF ± 5MM
ALL PRODUCTS CONFORM TO BRITISH STANDARDS



*Dimensions are subject to change, customers are advised to measure actual product before commencing installation.

**Fixing point dimensions are for guidance only. The positions of fixings must be checked when product is received.

FAQs

Q - Is a fitting template supplied?

A - Yes : Questions on cutting dimensions can be found on the template.

Q - How is the basin fixed to the furniture?

A - Fix to workspace with silicone as per instructions supplied.

Q - What finish is the ceramic glaze?

A - Matt White

Key Dimensions Descriptions	Key Dimensions (mm)
Internal Bowl Depth	100mm
Waste to Bottom of Overflow	60mm
Internal Bowl Front to Back	252mm
Internal Bowl Left to Right	488mm
Taphole Centre to Waste Centre	220mm
Taphole Centre to Back of Basin	65mm
Waste Centre to Back of Basin	130mm
Height of Basin Belly	140mm
Basin Overhang	110mm