

# TECHNICAL DATA SHEET

Note 560 SCT STD Depth Basin - N3SCBAS

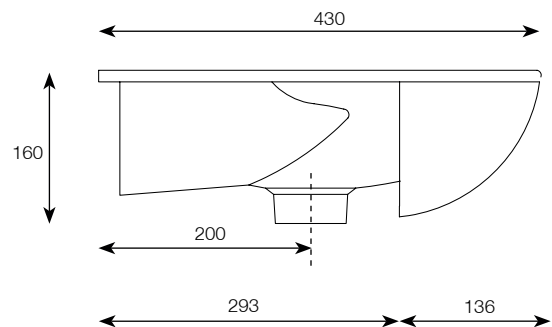
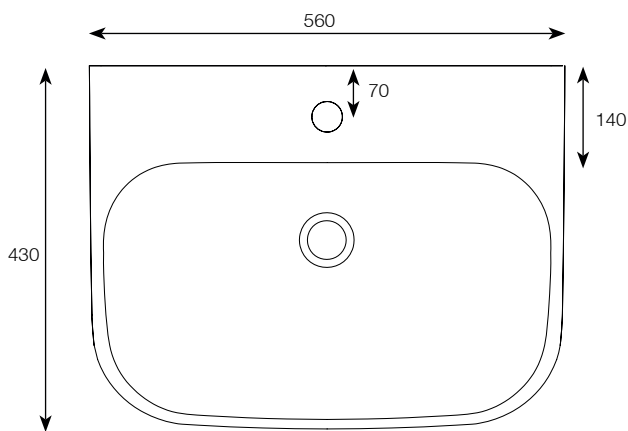
ROPER RHODES®

NO.	Description	Product Code	Template included	Gross Weight
1	560 Semi Recess Basin - Standard Depth	N3SCBAS	YES	11KG



## DIMENSIONS

DIAGRAMS NOT TO SCALE | ALL DIMENSIONS IN MM TOLERANCE OF  $\pm 5$ MM  
ALL PRODUCTS CONFORM TO BRITISH STANDARDS



\*Dimensions are subject to change, customers are advised to measure actual product before commencing installation.

\*\*Fixing point dimensions are for guidance only. The positions of fixings must be checked when product is received.

## FAQs

Q - Is a fitting template supplied?

A - Yes : Questions on cutting dimensions can be found on the template.

Q - How is the basin fixed to the furniture?

A - Fix to workspace with silicone as per instructions supplied.

Key Dimensions Descriptions	Key Dimensions (mm)
Internal Bowl Depth	100mm
Tap Ledge	140mm
Taphole Centre to Waste Centre	130mm
Taphole Centre to Back of Basin	70mm
Waste Centre to Back of Basin	200mm
Height of Basin	160mm
Basin Overhang	136mm