

# TECHNICAL DATA SHEET

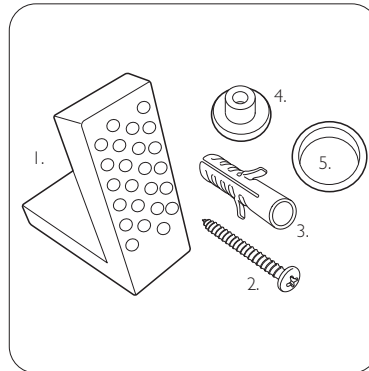
## Orbit Close Coupled Fully Enclosed WC

# TAVISTOCK

NO.	Description	Product Code	Fixings included	Gross Weight
1	Close Coupled Cistern	C250S	YES	14.3KG
2	Soft Close Toilet Seat	TS250S	YES	2KG
3	Rimless Fully Enclosed WC	P250S	YES	31KG



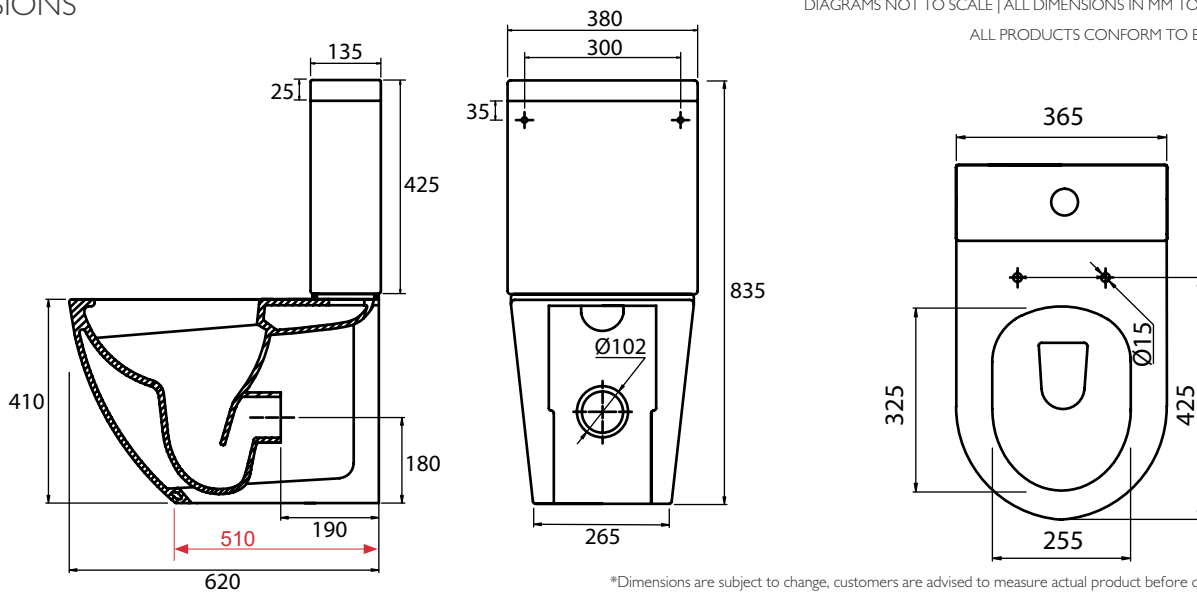
### Floor Fixings



- 1. 2x Nylon Floor Bracket
- 2. 4x Stainless Steel Screws
- 3. 2x Nylon Screw Plugs
- 4. 2x Nylon Screw Collars
- 5. 2x Nylon Collar Caps (Metalic Finish)

Spare Code: SP14211

## DIMENSIONS



\*Dimensions are subject to change, customers are advised to measure actual product before commencing installation.

\*\*Fixing point dimensions are for guidance only. The positions of fixings must be checked when product is received.

## FAQs

Q - Where is the inlet valve?  
A - Bottom inlet, back left of the pan.

Q - What is the flush volume?  
A - 4.5/3L

Q - Can this pan be used with a side connection outlet pipe?  
A - No

Q - Are there any other compatible seats?  
A - No

Q - Rim type?  
A - Rimless.

Key Dimensions Descriptions	Key Dimensions (mm)
Front to Back Footprint	510mm
Left to Right Footprint	265mm
Bowl Front to Back	325mm
Bowl Left to Right	255mm
Pan Height (+Cistern)	410mm (835mm)
Pan Overall Front to Back	620mm
Centre Waste Outlet to Floor	180mm
Width of Void	170mm
Is there a Ceramic Brace Bar	No
Distance from Spigot to back of Pan	190mm