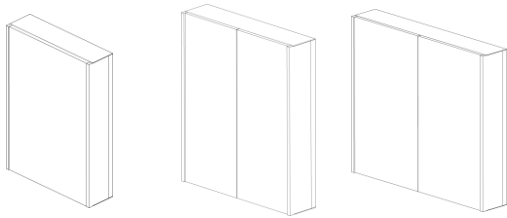


# Technical Data Sheet

## ORIGIN



### Box Contents:

ORIGIN Cabinet | 3 Aluminium shelves | 2x Wall hanging bracket | 6x wall plugs | 6x screws | Instructions booklet

### Materials:

Carcass: Extruded Aluminium | Door: Double sided Mirror | Backboard: 5mm mirror glass

Glass: glass aluminium door

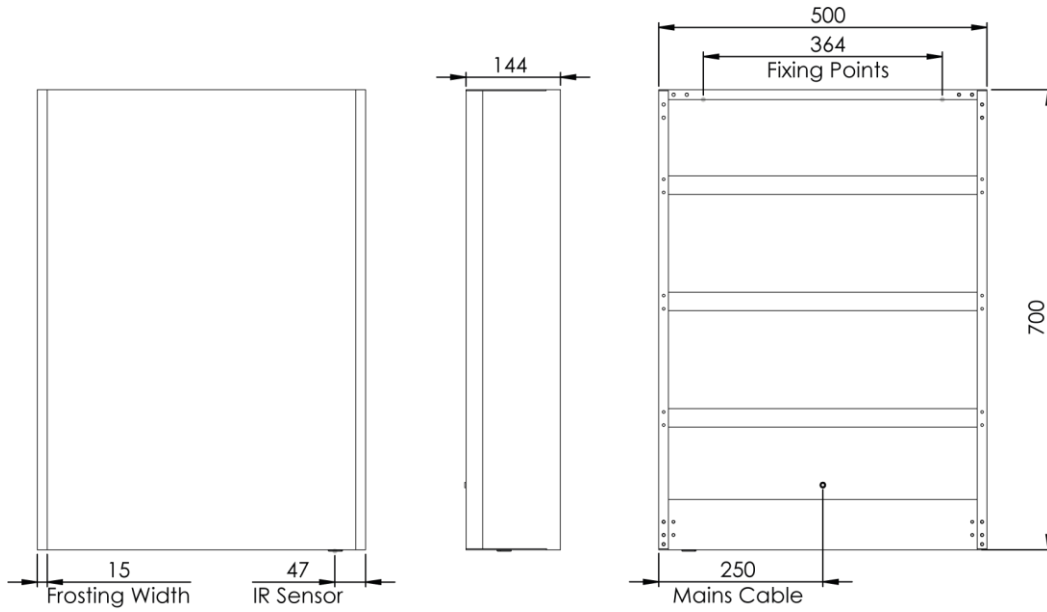
FAQ's:	Units	RGC050	RGC060	RGC080
Important installation requirement	mm	The product must be installed with a minimum distance of 150mm between the infrared sensor and an adjacent wall or obstruction to ensure correct function of the sensor.		
Internal dimensions (W x H x D)	mm	470 x 608 x 98	570 x 608 x 98	770 x 608 x 98
Shelf dimensions (W x H x D)	mm	350 x 2.3 x 94.5	450 x 2.3 x 94.5	650 x 2.3 x 94.5
Max shelf spacing	mm	158.8		
Distance between door hinges	mm	683		
Individual door dimensions (W x H x D)	mm	468 x 700 x 21	283 x 700 x 21	383 x 700 x 21
Door opening angle	°	105 degree		
Depth with door fully open	mm	576	390	490
Hanging bracket centres	mm	283	383	583
What is the thickness of the mirror glass?	mm	3mm		
Is the cabinet IP44 rated?	-	Yes		
What size fuse should I use?	-	Seek the advice of an electrician		
What is the total power consumption?	W	93.2	105.2	105.2
Does the mirror have an energy rating?	-	F		
What is the colour of the light and the Kelvin rating?	K	3000K - 6000K		
What is the Lumen of the LEDs?*	Lms	4032		
What is the wattage of the lights?	W	25.2		
Where is the IR switch located?	-	Right side		
Where is the shaver socket located?	-	Inside on the bottom right		
Can the LED lighting be replaced?	-	No		
Can the Rocker Switch be replaced?	-	Yes		
What is the output of the demister pad?	W	12	16	16
What are the dimensions of the demister pad?	mm	200 x 400		
How do I turn on the demister pad?	-	The demister pad will turn on when the LEDs are turned on.		
Are illuminated mirrors supplied with mains cable?	-	All illuminated mirrors are supplied with a removeable 500mm mains cable. There is ample storage for excess cable in the back of the unit.		

**Dimensions are subject to change; customers are advised to measure actual product before commencing installation.**

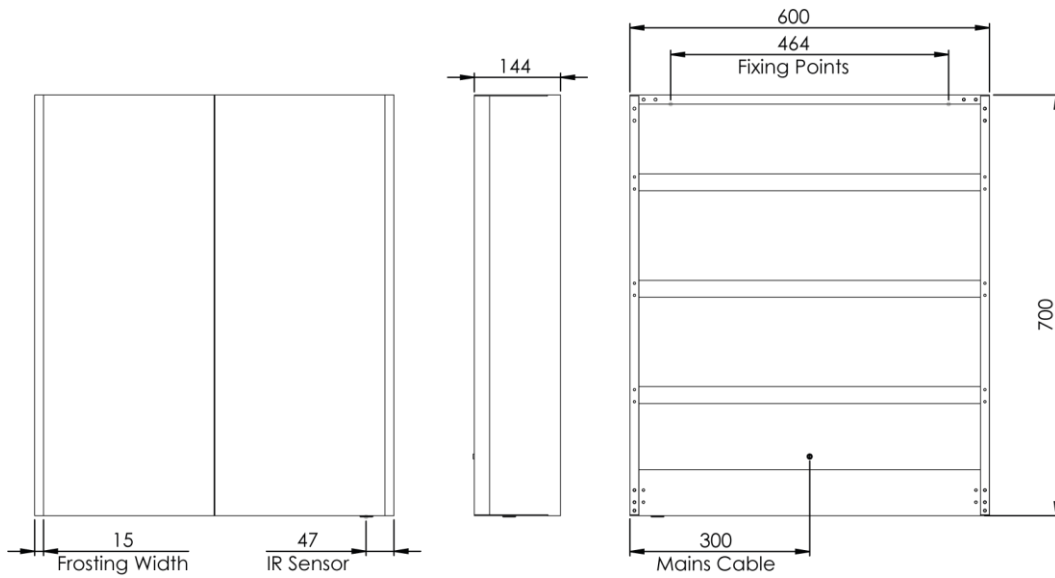
**Fixing point dimensions are for guidance only/the positions of wall fixing must be checked when product is received.**

**\*The Lumen represents the output of the LED. This may vary depending on the diffuser material i.e., glass or acrylic.**

## RGC050



## RGC060



## RGC080

