

TRADITIONAL CLOSE COUPLED WC - BUTTON OPERATED DUAL FLUSH CISTERN

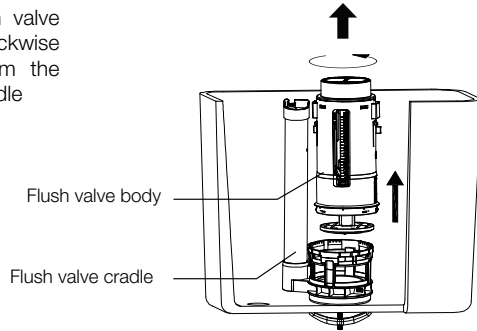
Installation & care instructions

This product must be installed by a qualified fitter or plumber in accordance with and meet the requirements of Water Supply (Water Fittings) Regulations 1999, the Water Supply (Water Fittings) (Scotland) Byelaws 2014 and the Water Supply (Water Fittings) Regulations (Northern Ireland) 2009

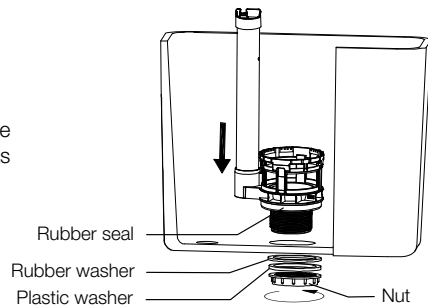
Please retain for future reference

INSTALLATION OF FLUSH VALVE

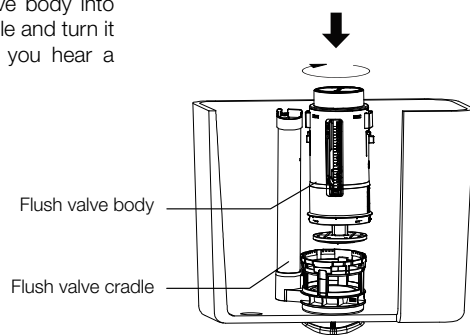
Turn the flush valve body anti-clockwise to part it from the flush valve cradle



Install flush valve cradle and seal as shown

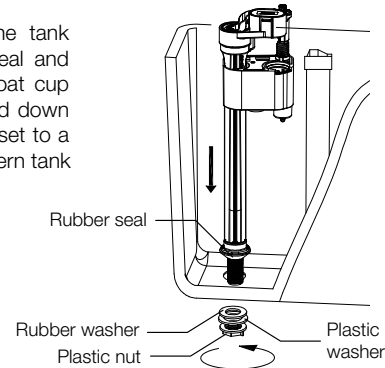


Insert flush valve body into flush valve cradle and turn it clockwise until you hear a "click"



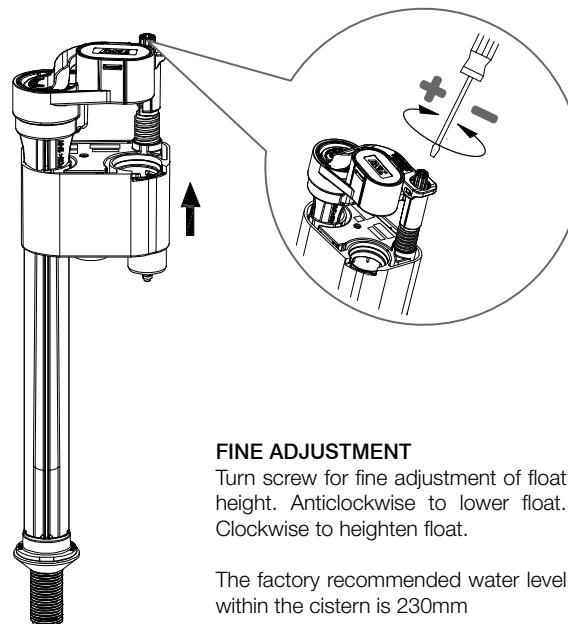
INSTALLATION OF FILL VALVE

Install the fill valve to the tank body using the rubber seal and plastic nut. Ensure the float cup has room to move up and down freely. The fill valve is pre-set to a height suitable for the cistern tank



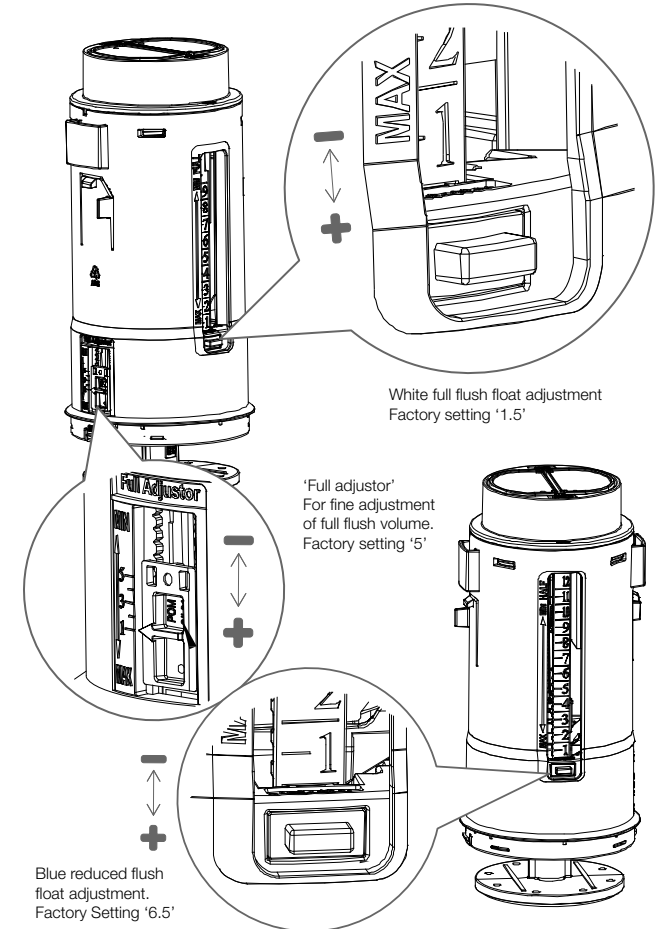
FILL VALVE ADJUSTMENT

The fill valve is factory set but if adjustment is required follow the instructions below.



FLUSH VALVE ADJUSTMENT

The flush valve is factory set but if adjustment is required see diagrams below.



IMPORTANT

Flush out all impurities in the cistern prior to installation.

Cistern fittings are suitable for Water pressure: 0.2 - 8 bar

TRADITIONAL CLOSE COUPLED WC - BUTTON OPERATED DUAL FLUSH CISTERN

Installation & care instructions

This product must be installed by a qualified fitter or plumber in accordance with and meet the requirements of Water Supply (Water Fittings) Regulations 1999, the Water Supply (Water Fittings) (Scotland) Byelaws 2014 and the Water Supply (Water Fittings) Regulations (Northern Ireland) 2009

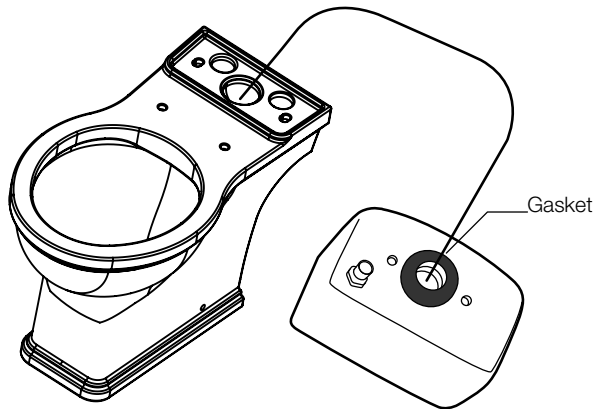
Please retain for future reference

FITTING THE CISTERN TO THE TOILET PAN

With the flush valve and inlet valve fitted and adjusted the cistern tank can be fitted to the pan.

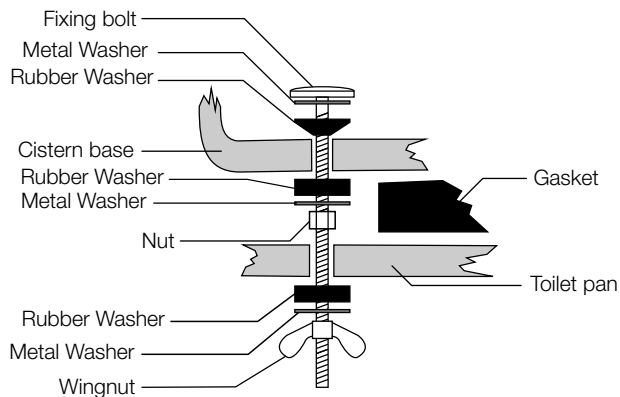
Fit the gasket around the flush valve outlet on the underside of the cistern.

When fitting the cistern to the pan take care to ensure the gasket is properly aligned in the gasket location. Failing to do so could result in leakage.



Insert the cistern fitting bolts arranging the components as shown in the diagram below.

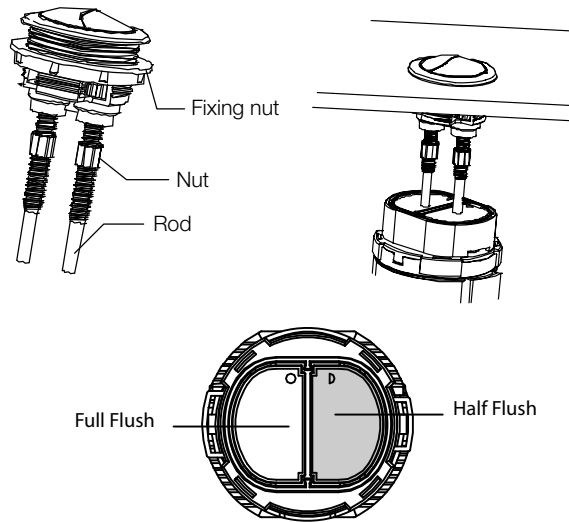
Firmly tighten the nuts and wing nuts taking care not to overtighten as this could damage the ceramic.



INSTALLING PUSH BUTTON

Fit the push button to the cistern lid using the plastic fixing nut.

Ensure the pins make contact with the flush buttons on the flush valve. To adjust the length of the rods turn the nut clockwise and anti-clockwise.



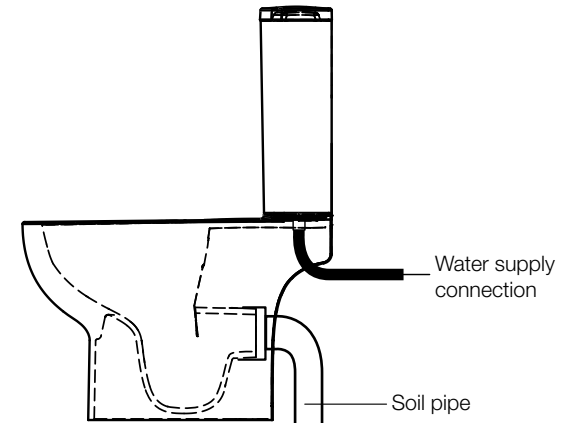
MAKING PLUMBING CONNECTIONS

Connect a NEW WC Pan waste connector and ensure it is adequately sealed around the toilet pan outlet to prevent leakage.

The inlet valve has a threaded connector. It is recommended that this thread is wrapped in PTFE tape before connecting the water supply. Do not overtighten the supply to the inlet valve as this could damage the inlet valve causing leakage.

Do NOT use silicone around gaskets or rubber seals as this will impair sealing of the rubber components. After connecting the water supply to the inlet valve check that the inlet valve components do not touch the internal walls of the cistern and the float can move freely up and down.

Check all connections are secure and a soil pipe is fitted before testing the flush.



CONNECTION TO WATER SUPPLY

Connect the water supply to the cistern using an approved double check valve to fluid category 3 in addition to an accessible service valve.

OPERATION

Press the large button once for a large flush (5 litres factory setting)
Press the small button once for a small flush (3 litres factory setting)

CARE

DO NOT introduce caustic chemical substances (e.g. containing chlorine compounds or similar). These can damage the valve components and cause failure.

AIR GAP & WATER LEVEL

It is important that there is a minimum air gap between the outlet of the fill valve and the top of the overflow of 30mm.

Also the water level in the tank must be between 25-32mm below overflow tube on the flush valve. The telescopic overflow tube can be adjusted if necessary.