

# TECHNICAL DATA SHEET

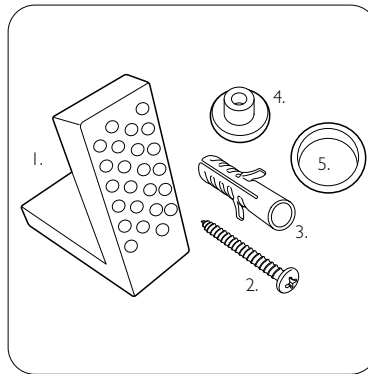
Marston Semi-Comfort Height Fully Enclosed CC WC

# TAVISTOCK

| NO. | Description                   | Product Code | Fixings included | Gross Weight |
|-----|-------------------------------|--------------|------------------|--------------|
| 1   | Close Coupled Button Cistern  | C1250S       | YES              | 14KG         |
| 2   | Soft Close Quick Release Seat | TS1255S-SF   | YES              | 3KG          |
| 3   | Fully Enclosed CC WC          | PCF1250S     | YES              | 34KG         |



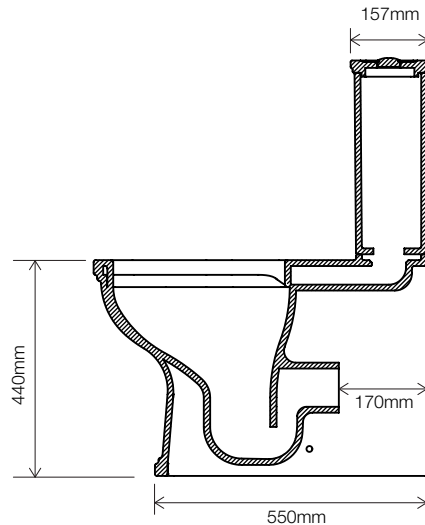
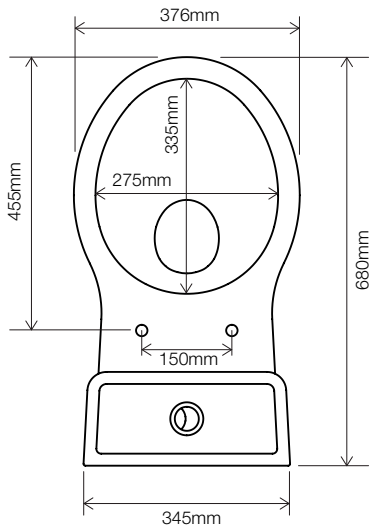
### Floor Fixings



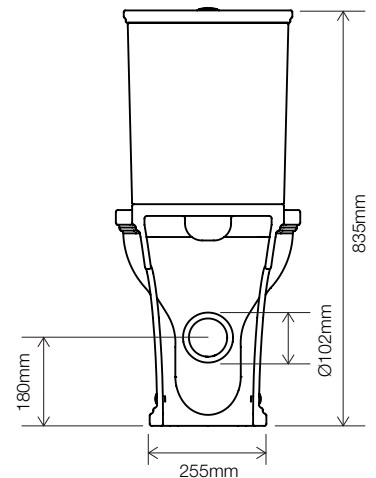
- 1. 2x Nylon Floor Bracket
- 2. 4x Stainless Steel Screws
- 3. 2x Nylon Screw Plugs
- 4. 2x Nylon Screw Collars
- 5. 2x Nylon Collars Caps (Metalic Finish)

Spare Code: SPI 1078

## DIMENSIONS



DIAGRAMS NOT TO SCALE | ALL DIMENSIONS IN MM TOLERANCE OF ± 5MM  
ALL PRODUCTS CONFORM TO BRITISH STANDARDS



\*Dimensions are subject to change, customers are advised to measure actual product before commencing installation.  
\*\*Fixing point dimensions are for guidance only. The positions of fixings must be checked when product is received.

## FAQs

Q - Where is the inlet valve?  
A - Bottom inlet, back left of pan.

Q - What is the flush volume?  
A - 4.5/3L

Q - Are there any other compatible seats?  
A - Yes, a solid wooden natural oak seat and painted wooden seats in matt black and white are available.

Q - Rim Type?  
A - Rimless

Q - What finish is the ceramic glaze?  
A - Alpine White

Q - What finish is the flush button supplied with the cistern?  
A - Chrome

Q - Can the flush button be upgraded to a different finish?  
A - Yes using the following codes:  
TR9027 (black),  
TR9039 (brushed brass)  
TR9048 (gunmetal)  
TR9052 (brushed bronze)  
TR9056 (brushed nickel)

| Key Dimensions Descriptions         | Key Dimensions (mm)    |
|-------------------------------------|------------------------|
| Front to Back Footprint             | 550mm from wall        |
| Left to Right Footprint             | 250mm                  |
| Bowl Front to Back                  | 335mm                  |
| Bowl Left to Right                  | 275mm                  |
| Pan Height (+Cistern)               | 440mm (835mm)          |
| Pan Overall Front to Back           | 680mm                  |
| Centre Waste Outlet to Floor        | 180mm + 15mm<br>- 10mm |
| Width of Void                       | 190mm                  |
| Is there a Ceramic Brace Bar        | No                     |
| Distance from Spigot to back of Pan | 170mm                  |