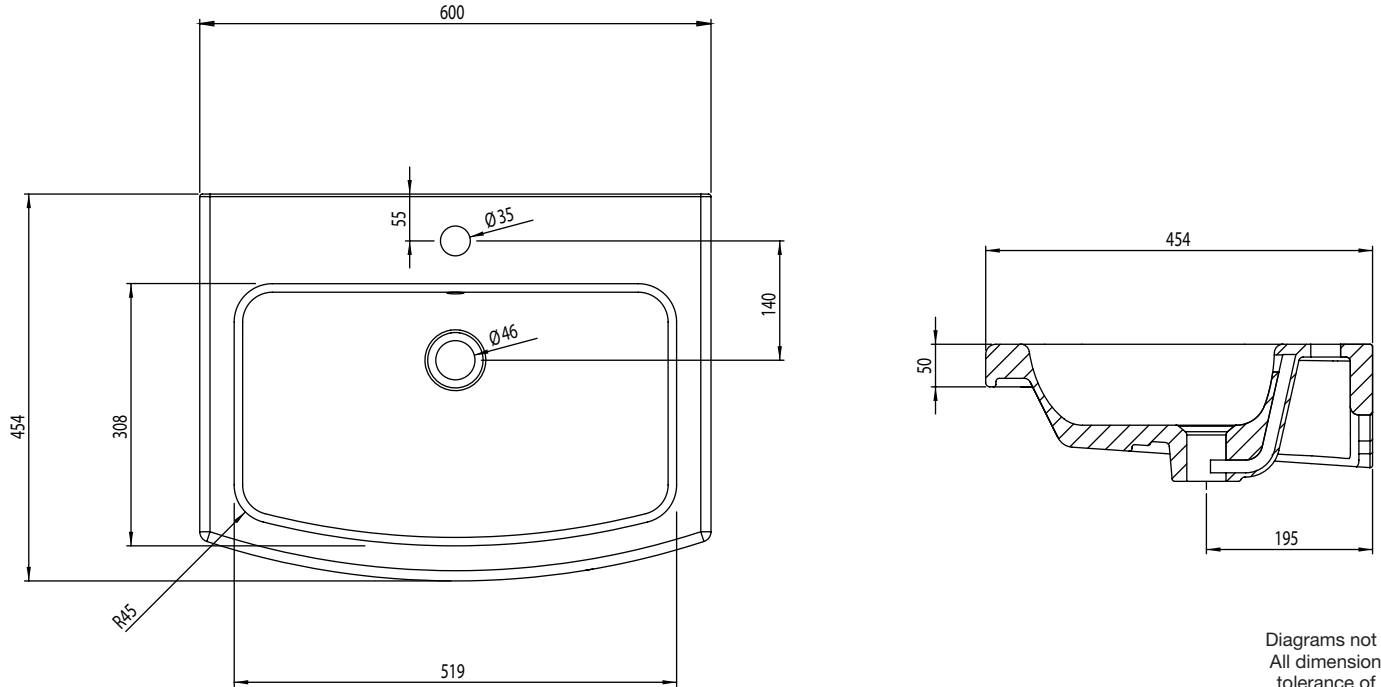


Technical Data Sheet

PLAN 600mm Ceramic Basin

Whats in the box: 1x PL6080

R2



Diagrams not to scale
All dimensions in mm
tolerance of +/-5mm

Materials

Basin: Ceramic

*Dimensions are subject to change, customers are advised to measure actual product before commencing installation.

**Fixing point dimensions are for guidance only/the positions of wall fixing must be checked when product is received.

FAQs

Q: What is the maximum water depth of the basin?

A: 82mm up to the overflow.

Q: What is the distance of the wall fixings?

A: The distance is 140mm from the centre.

Q: Whats is the depth of the Tapledge?

A: The Tapledge is 115mm deep.

Q: What is the distance from the Taphole centre to Basin Waste?

A: 140mm