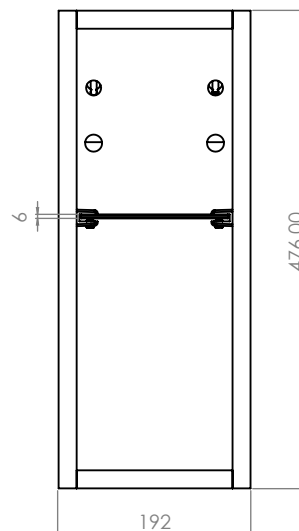
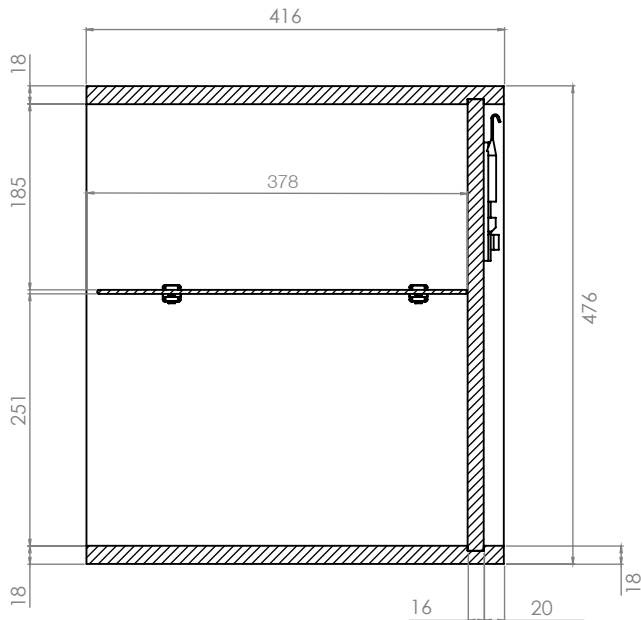


Technical Data Sheet

PLATFORM 200mm Open Storage Unit

What's in the box: 1x PLTST200.X



Diagrams not to scale
All dimensions in mm
Tolerance of +/-5mm

Materials

Carcass: 18mm MD, 24mm PVC Wrapped MDF (Swiss Oak Finish Only)

Shelf: 6mm Glass

**Dimensions are subject to change, customers are advised to measure actual product before commencing installation.

***Fixing point dimensions are for guidance only/the positions of wall fixing must be checked when product is received.

FAQs

Q: What is the interior finish of the unit?

A: The unit interior is colour matched to the outer finish, except the Swiss Oak finish which comes with a Dark Grey Interior.

Q: Can the shelf be adjusted?

A: No it is fixed.

Q: What are the internal dimensions?

A: Top - 185mm x 156mm x 378mm
Bottom - 249mm x 156mm x 378mm

Q: What is the thickness of the glass shelf?

A: 6mm.

Q: How do I fix the unit to the wall?

A: Please refer to the instructions supplied with the unit.

Q: What is this unit compatible with?

A: This unit is compatible with wall mounted Platform Slab and Platform Fluted ranges and can be paired with worktops and countertop basins only.