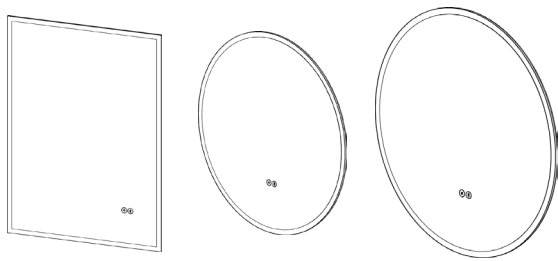


Technical Data Sheet

PLAY



Box Contents:

Play Mirror – Instructions booklet | 2x wall plugs | 2x screws

Materials

Frame Material: Extruded Aluminium

Glass: 5mm PVC Backed

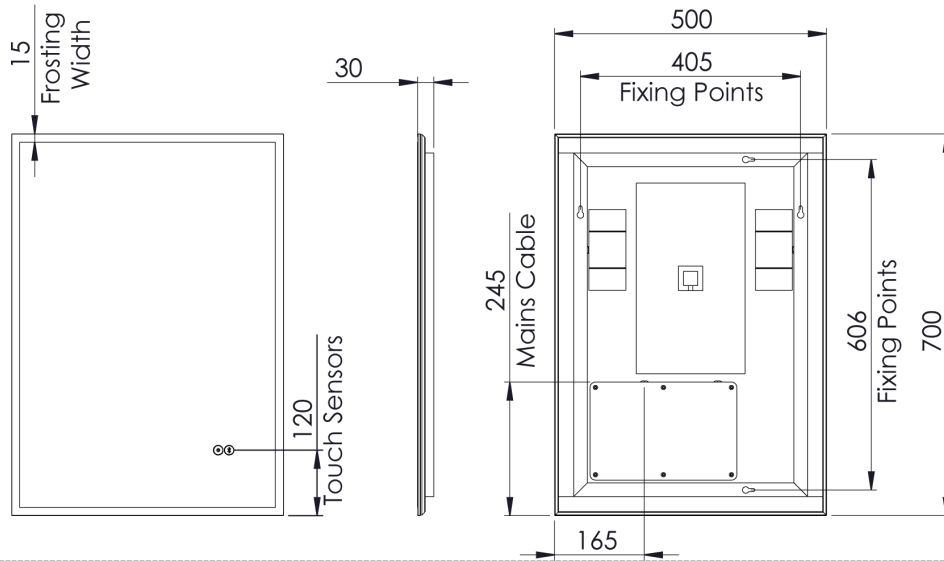
FAQ's:	Units	PYM050	PYM60C	PYM80C
Can the mirror be hung landscape?	-	Yes	No	
What is the thickness of the mirror glass?	mm	5		
Is the mirror IP44 rated?	-	Yes – Suitable for use in bathroom zone 2		
What size fuse should I use?	-	Seek the advice of an electrician		
What is the total power consumption?	W	50.4	69.6	73.3
Does the mirror have an energy rating?	-	Yes – It has an energy rating of: F		
What is the colour of the light and the Kelvin rating?	K	3000 - 6000		
What is the Lumen of the LEDs?*	Lms	6192	4896	6624
What is the wattage of the lights?	W	20.4	27.6	28.8
Where is the IR sensor/rocker switch located?	-	Front bottom right	Front middle	
Can the LED lighting be replaced?	-	No		
Can the Touch sensor be replaced?	-	Yes		
What is the output of the demister pad?	W	6	20	17.5
What are the dimensions of the demister pad? (L x W)	mm	200 X 200	200 X 400	200 X 350
How do I turn on the demister pad?	-	The demister pad will turn on when the LEDs are turned on.		
Are illuminated mirrors supplied with mains cable?	-	All illuminated mirrors are supplied with a removeable 500mm mains cable.		
Bluetooth® Version	V	V5.0		
Bluetooth® Range	m	7 – 10 (Dependant on location of installation)		
Bluetooth® Control	-	Independent touch sensor for BT on/off. Use phone to change volume and tracks.		
Bluetooth® Device Memory	-	The mirror can remember up to 4 devices. Only 1 device can be connected at a time.		

Dimensions are subject to change; customers are advised to measure actual product before commencing installation.

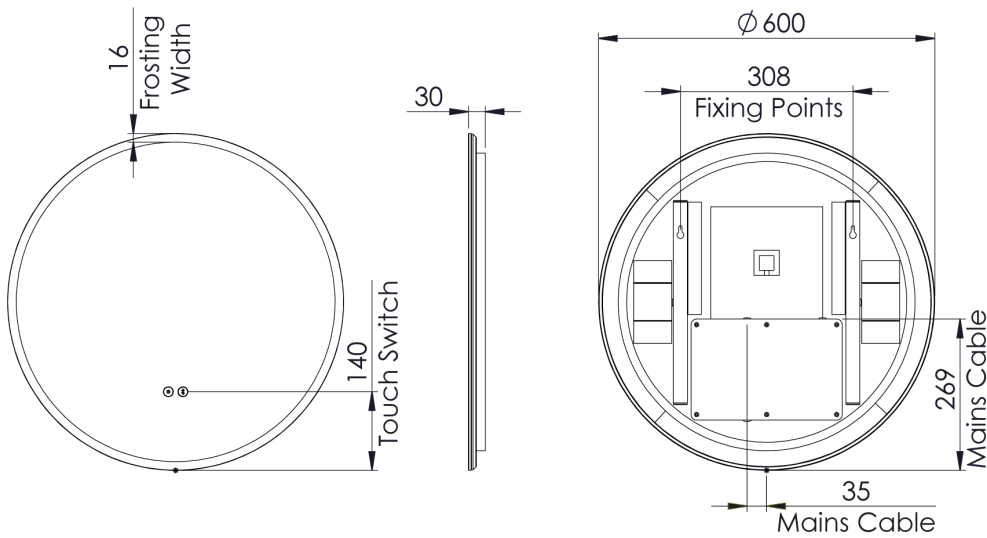
Fixing point dimensions are for guidance only/the positions of wall fixing must be checked when product is received.

*The Lumen represents the output of the LED. This may vary depending on the diffuser material i.e., glass or acrylic.

PYM050



PYM60C



PYM80C

