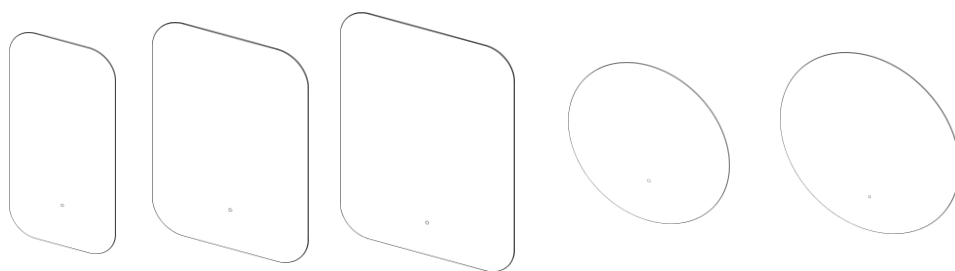


Technical Data Sheet

PURE



Box Contents:

Pure Mirror | 2x wall plugs | 2x screws | Instructions booklet

Materials

Frame Material: Extruded Aluminium

Glass: 5mm PVC Backed

FAQ's:	Units	PRM040	PRM050	PRM060	PRM60C	PRM80C
Can the mirror be hung landscape?	-	Yes	Yes	Yes	No	No
What is the thickness of the mirror glass?	mm	5				
Is the mirror IP44 rated?	-	Yes – Suitable for use in bathroom zone 2				
What size fuse should I use?	-	Seek the advice of an electrician				
What is the total power consumption?	W	31.7	34.4	38.7	21.8	35.2
Does the mirror have an energy rating?	-	Yes – It has an energy rating of: F				
What is the colour of the light and the Kelvin rating?	K	3500 - 6500				
What is the Lumen of the lights?*	Lms	2880	2790	3375	2070	2970
What is the wattage of the lights?	W	21	20.3	24.6	15.1	21.7
Where is the IR sensor/rocker switch located?	-	Front Centre Bottom				
Can the LED lighting be replaced?	-	No				
Can the IR sensor be replaced?	-	Yes				
What is the output of the demister pad?	W	10.7	14.1	14.1	6.75	13.5
What are the dimensions of the demister pad? (L x W)	mm	220 x 270	270 x 290	270 x 290	250 x 150	250 x 300
How do I turn on the demister pad?	-	The demister pad will turn on when the LEDs are turned on.				
Are illuminated mirrors supplied with mains cable?	-	All illuminated mirrors are supplied with a removeable 500mm mains cable. There is ample storage for excess cable in the back of the unit.				

5 Year Guarantee

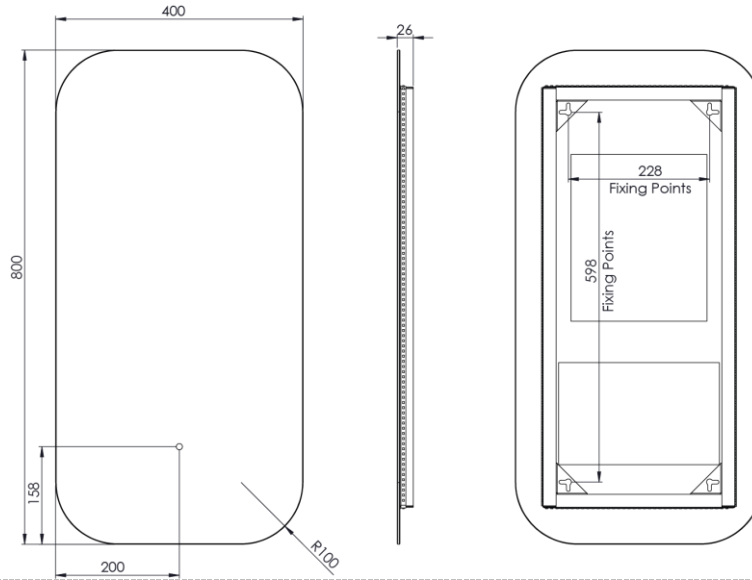
We have complete confidence in this R2 bathroom Mirror and as such it is offered with a 5-year guarantee against defects in manufacture. The electronics are covered by our 2-year guarantee. In the unlikely event that this product should fail during the guarantee period we will either replace the faulty part or the complete unit as appropriate.

Dimensions are subject to change; customers are advised to measure actual product before commencing installation.

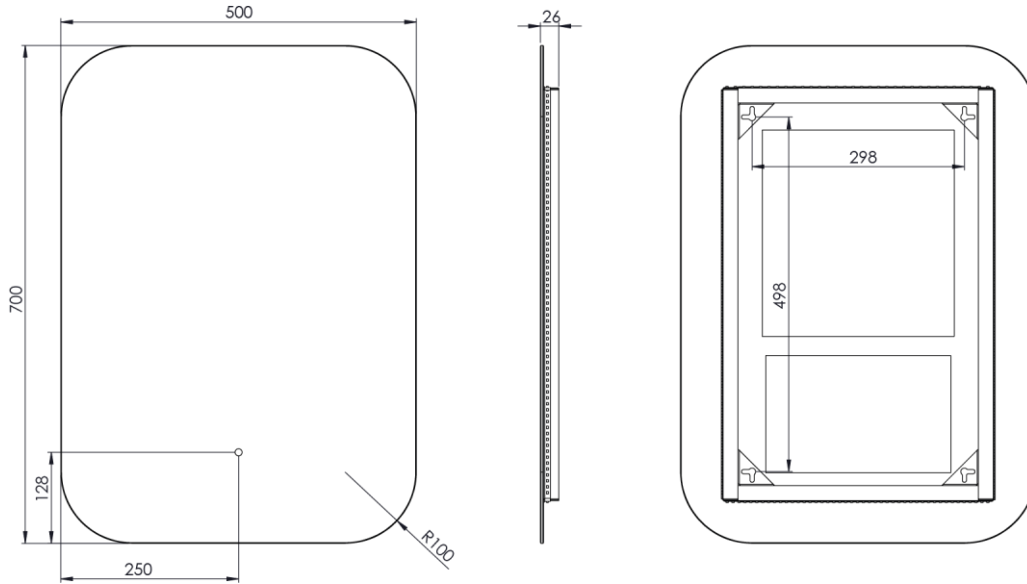
Fixing point dimensions are for guidance only/the positions of wall fixing must be checked when product is received.

*The Lumen represents the output of the LED. This may vary depending on the diffuser material i.e., glass or acrylic.

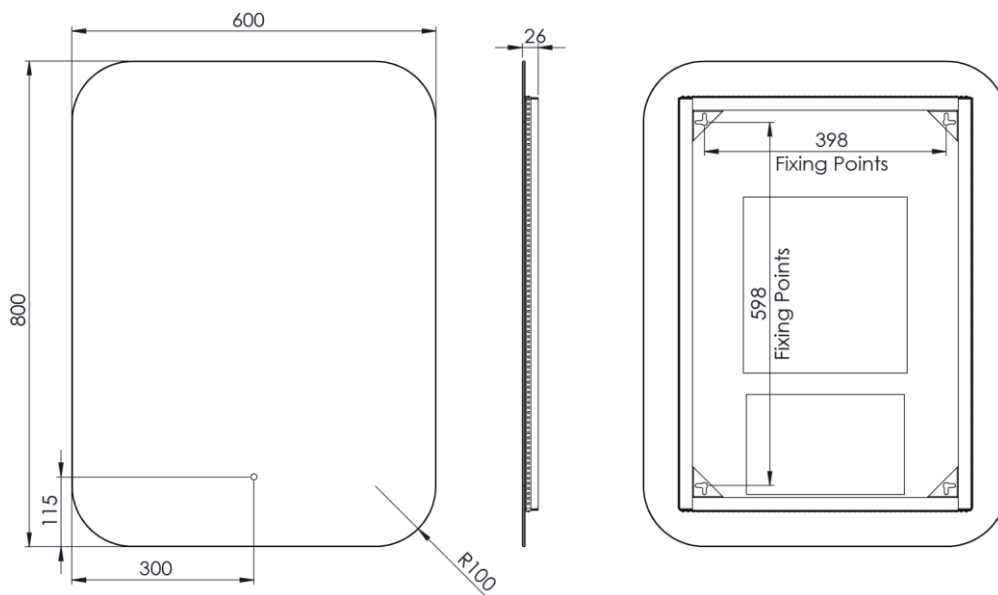
PRM040



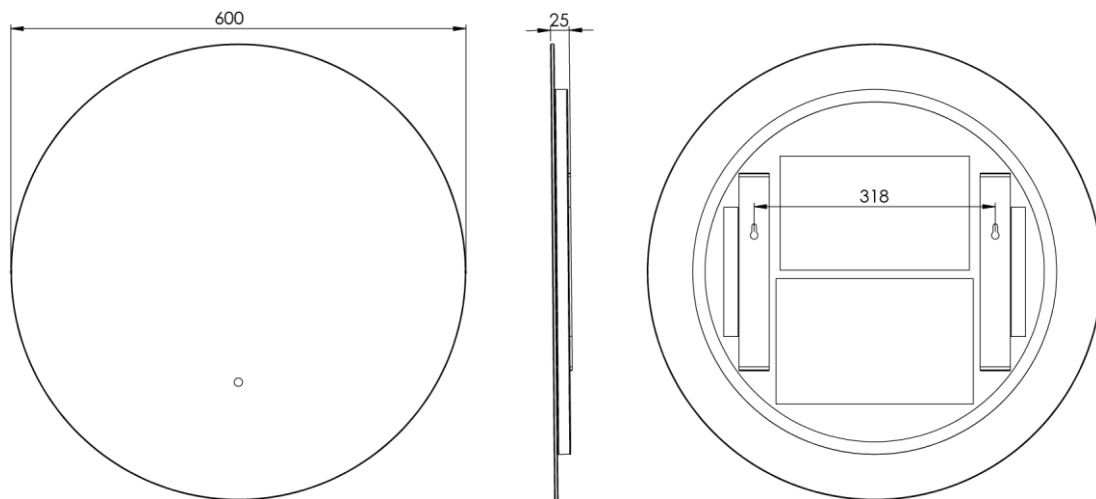
PRM050



PRM060



PRM60C



PRM80C

