

Technical Data Sheet

Shower Systems

TAVISTOCK

No.	Description	Code	Fixings Included
1	Quantum Cool Touch 2F Shower System	SQT2209	YES

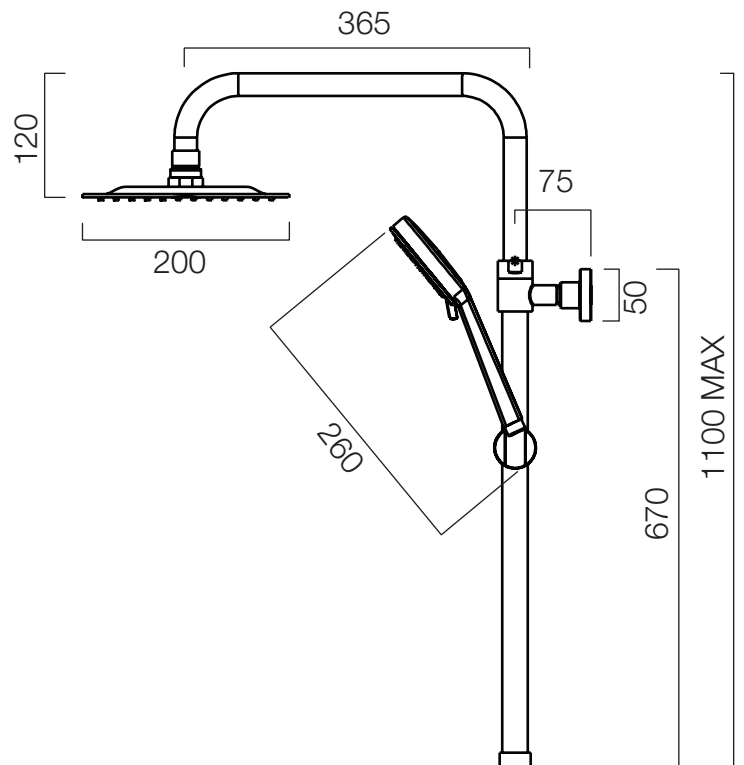
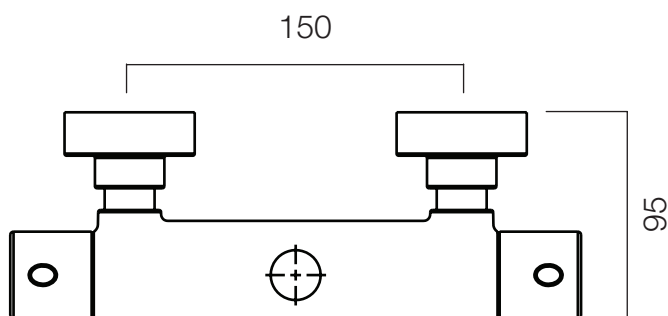
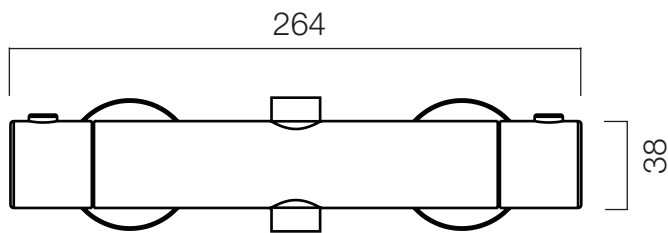


Inlet Pressure	Flow Rate (l/min)
1bar	12
2bar	17
3bar	21
4bar	24
5bar	27

Flow from valve may vary depending on accessories and domestic supply.

Dimensions - Overview

Diagrams not to scale. All dimensions in mm (tolerance of +/-5mm)



FAQs

How tall is the riser rail? Adjustable: 760mm - 1100mm

How long is the shower hose? 1.5m

What is the minimum pressure for the valve? 1.0bar

What is the valve connection size? 1/2" BSP