

Technical Data Sheet

Arctic Shower System



No.	Description	Code	Fixings Included
1	Arctic Shower System	TR3005	YES

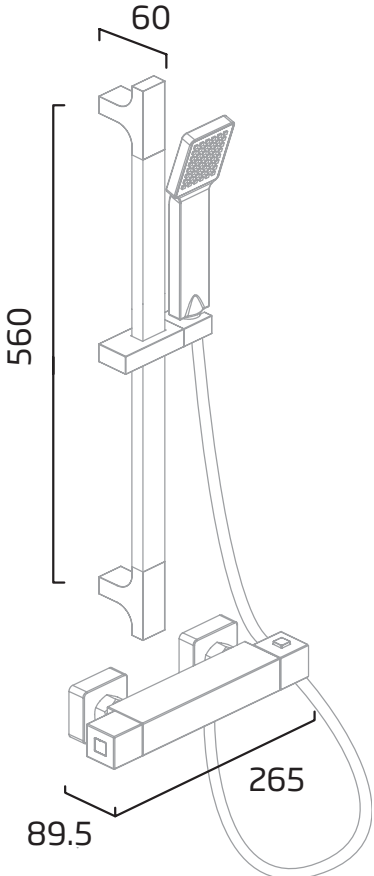


Min Pressure:	0.3bar
0.3bar	4.25
0.5bar	5.60
1bar	7.88
2bar	10.65
3bar	23.69

Dimensions - TR3005

Diagrams not to scale. All dimensions in mm (tolerance of +/-5mm)

*Dimensions are subject to change, customers are advised to measure actual product before commencing installation.



FAQs

What is the adjustment range of the riser rail? 560mm

How long is the shower hose? 1.5m

What is the recommended minimum pressure for optimum performance of valve? 0.3bar

What is the valve connection size? 1/2" BSP

What materials are the handles made from? Chromed ABS