

# Technical Data Sheet

## Ashton Shower Systems

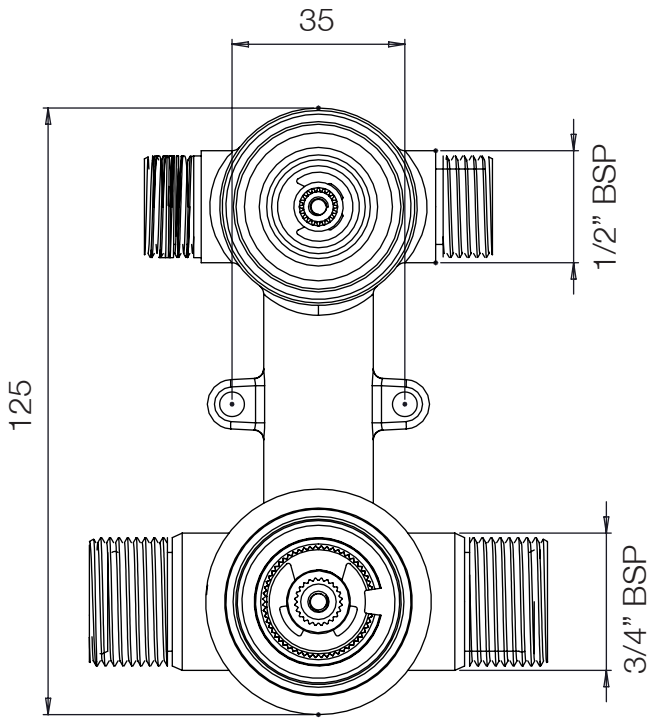
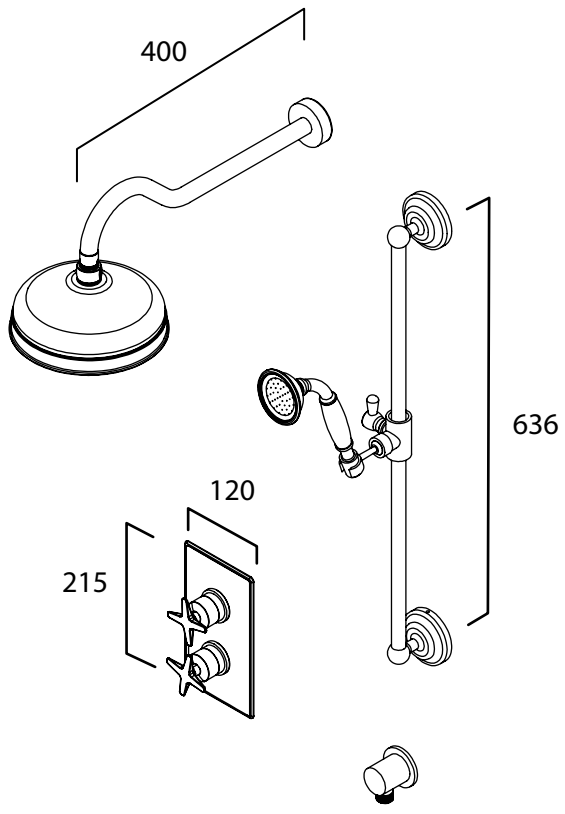


No.	Description	Codes	Fixings Included
1	Ashton Concealed Dual Function Shower System with Shower Head and Handset	TR3017	YES



Inlet Pressure	Flow Rate (l/min)
0.5bar	8.00
1bar	9.00
2bar	13.50
3bar	17.50

### Dimensions - TR3017



**NOTE: VALVE TO BE RECESSED 80-100mm FROM FINISHED WALL SURFACE**

### FAQs

- How tall is the riser rail?** 636mm - the riser rail can be cut shorter if necessary
- How long is the shower hose?** 1.5m
- What is the recommended minimum pressure for optimum performance of valve?** 1.0bar
- What is the valve connection size?** 1/2" BSP for outlets / 3/4" BSP for inlets
- What materials are the handles made from?** Chrome-plated brass

# Technical Data Sheet

## Ashton Shower Systems



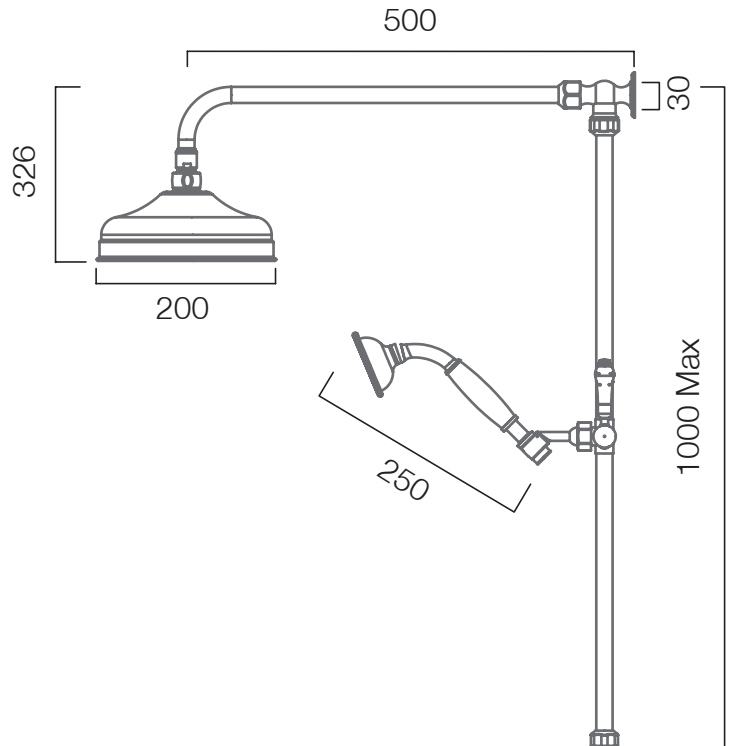
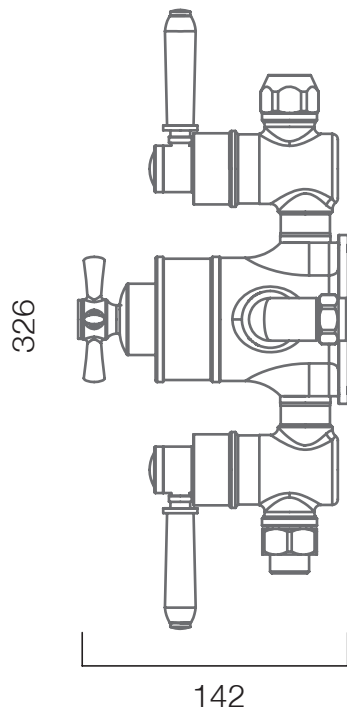
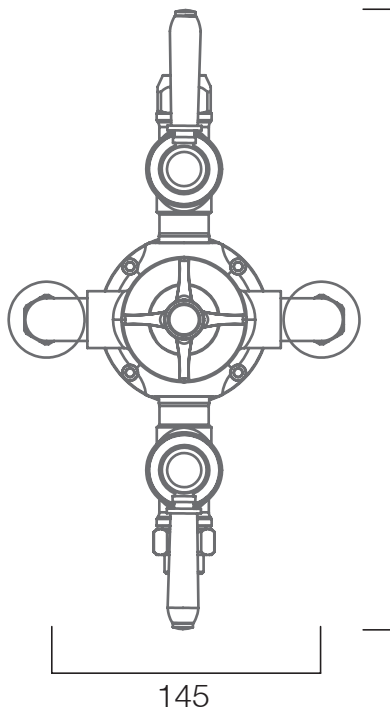
No.	Description	Code	Fixings Included
1	Ashton Exposed Dual Function Shower System with Shower Head and Handset	TR3016	YES



Inlet Pressure	Flow Rate (l/min)
1bar	10.29
2bar	13.98
3bar	17.34
4bar	19.98
5bar	22.56

### Dimensions - TR3016

Diagrams not to scale. All dimensions in mm (tolerance of +/-5mm)



### FAQs

**How tall is the riser rail?** 1000mm - this can be cut down if necessary

**How long is the shower hose?** 1.5m

**What is the recommended minimum pressure for optimum performance of valve?** 1.0bar

**What is the valve connection size?** 1/2" suitable for 15mm pipework

**What materials are the handles made from?** Chrome-plated brass