

Technical Data Sheet

Fuse Shower System



No.	Description	Code	Fixings Included
1	Fuse Concealed Dual Function Shower System with Shower Head and Handset	TR3008	YES

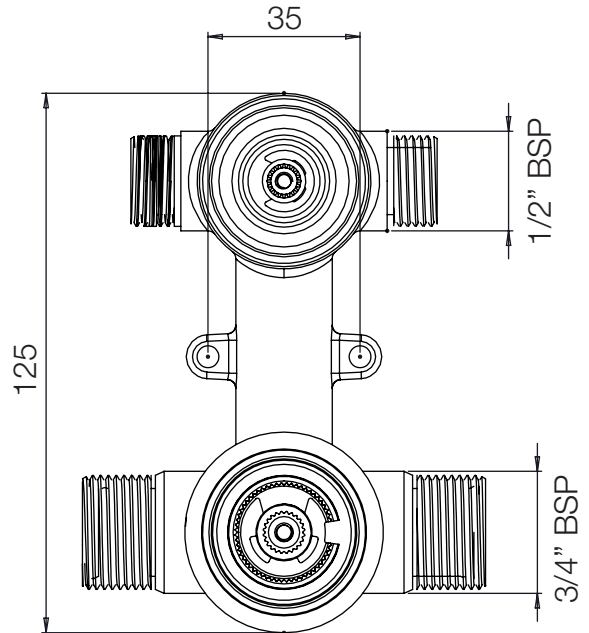
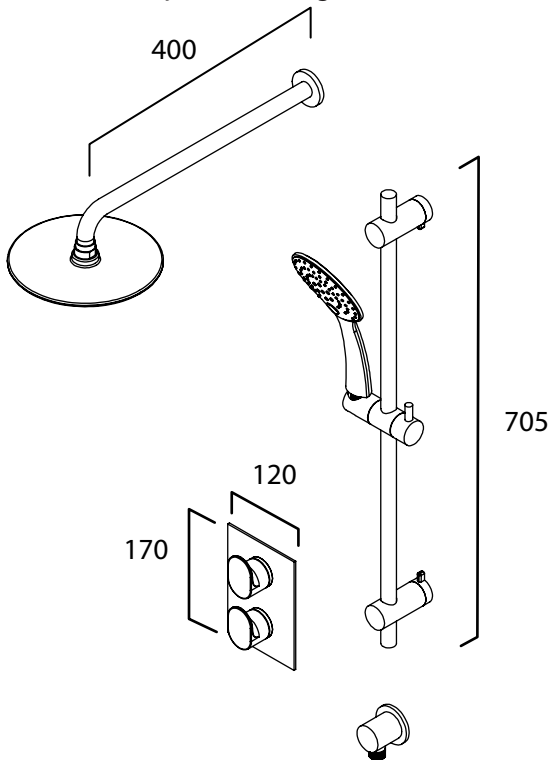


Inlet Pressure	Flow Rate (l/min)
0.5bar	8.00
1bar	9.00
2bar	13.50
3bar	17.50

Dimensions - TR3008

Diagrams not to scale. All dimensions in mm (tolerance of +/-5mm)

*Dimensions are subject to change, customers are advised to measure actual product before commencing installation.



NOTE: VALVE TO BE RECESSED 80-100mm FROM FINISHED WALL SURFACE

FAQs

How tall is the riser rail? 705mm - the fixing brackets are adjustable and have no fixed distance.

How long is the shower hose? 1.5m

What is the minimum pressure for the valve? 1.0bar

What is the valve inlet connection size? 3/4" BSP

What is the valve outlet connection size? 1/2" BSP

What is the handle material? Chrome-plated ABS