

Technical Data Sheet

Joy Shower Systems



| No. | Description | Code | Fixings Included |
|-----|-----------------------------------|--------|------------------|
| 1 | Joy Single Function Shower System | DC3001 | YES |

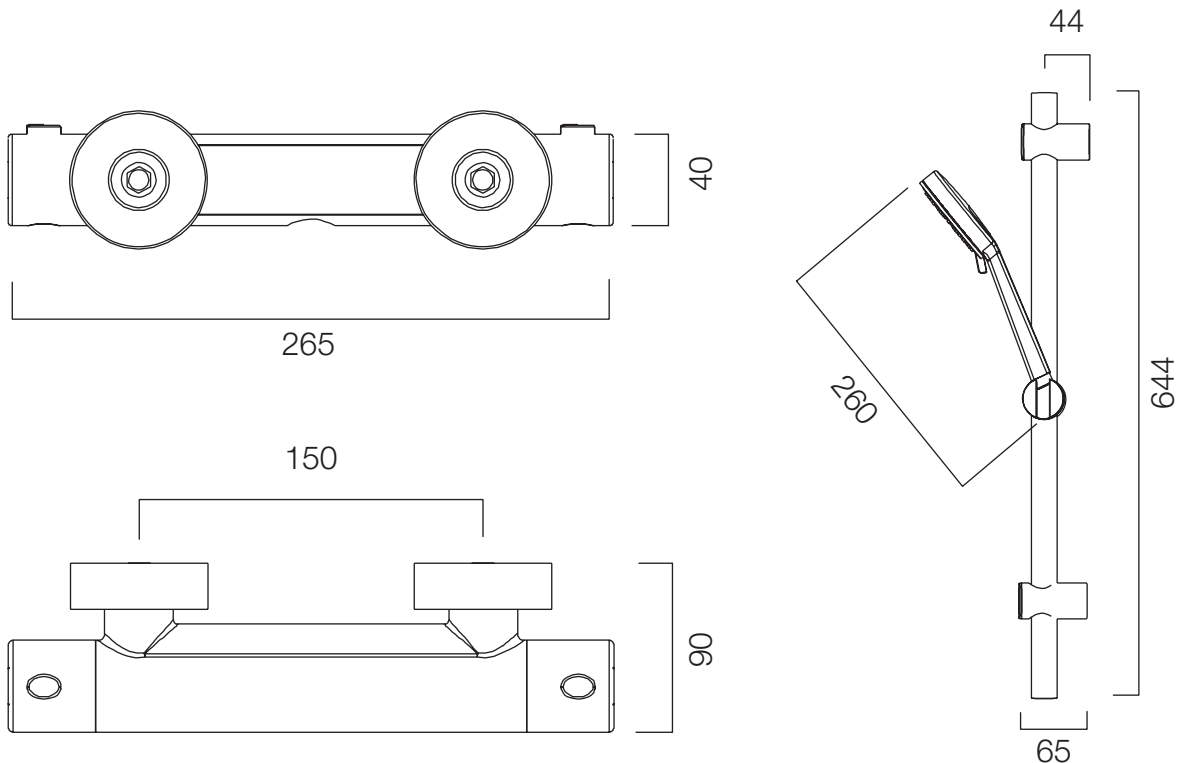


| Inlet Pressure | Flow Rate (l/min) |
|----------------|-------------------|
| 0.2bar | 5.50 |
| 0.3bar | 7.00 |
| 0.5bar | 8.00 |
| 1bar | 9.50 |
| 2bar | 12.50 |

Flow from valve may vary depending on accessories and domestic supply.

Dimensions - DC3001

Diagrams not to scale. All dimensions in mm (tolerance of +/-5mm)



FAQs

How tall is the riser rail? 644mm, fixing points are adjustable

How long is the shower hose? 1.5m

What is the minimum pressure for the valve? 0.2bar

What is the valve inlet connection size? 3/4" BSP

What is the valve inlet connection size? 1/2" BSP

Materials:

Riser - Stainless Steel

Valve - Chrome Plated Zinc / Plastic Core

Cover Plates - Stainless Steel

Slider - Chrome Plated ABS