

Technical Data Sheet

Joy Shower Systems



No.	Description	Code	Fixings Included
1	Joy Dual Function Shower System	DC3002	YES

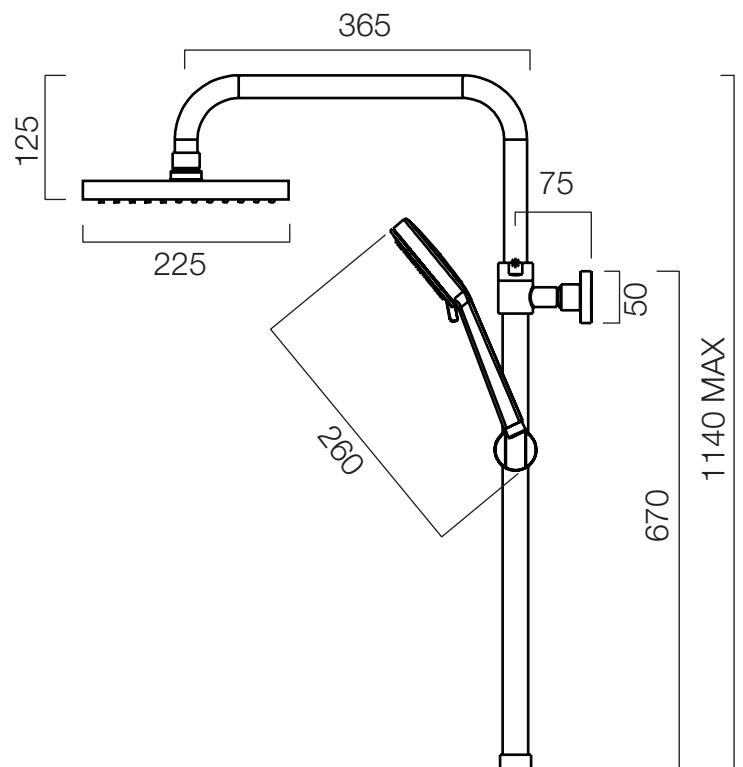
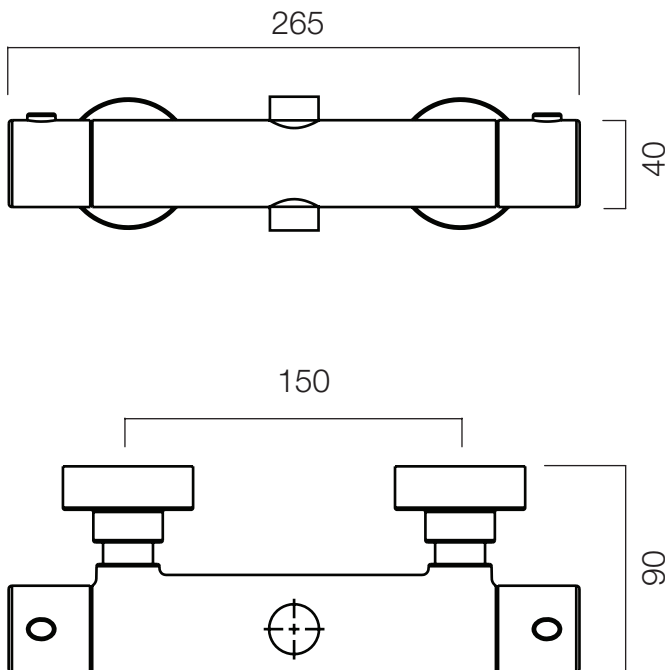


Inlet Pressure	Flow Rate (l/min)
0.5bar	7.00
1bar	8.5
2bar	11.5

Flow from valve may vary depending on accessories and domestic supply.

Dimensions - DC3002

Diagrams not to scale. All dimensions in mm (tolerance of +/-5mm)



FAQs

How tall is the riser rail? Adjustable height - maximum 1140mm

How long is the shower hose? 1.5m

What is the minimum pressure for the valve? 0.5bar

What is the valve inlet connection size? 3/4" BSP

What is the valve inlet connection size? 1/2" BSP

Materials:

Riser - Stainless Steel

Valve - Chrome Plated Zinc / Plastic Core

Cover Plates - Stainless Steel

Slider - Chrome Plated ABS