

Technical Data Sheet

Joy Shower Systems



No.	Description	Code	Fixings Included
1	Joy Single Function Shower System	DC3001	YES

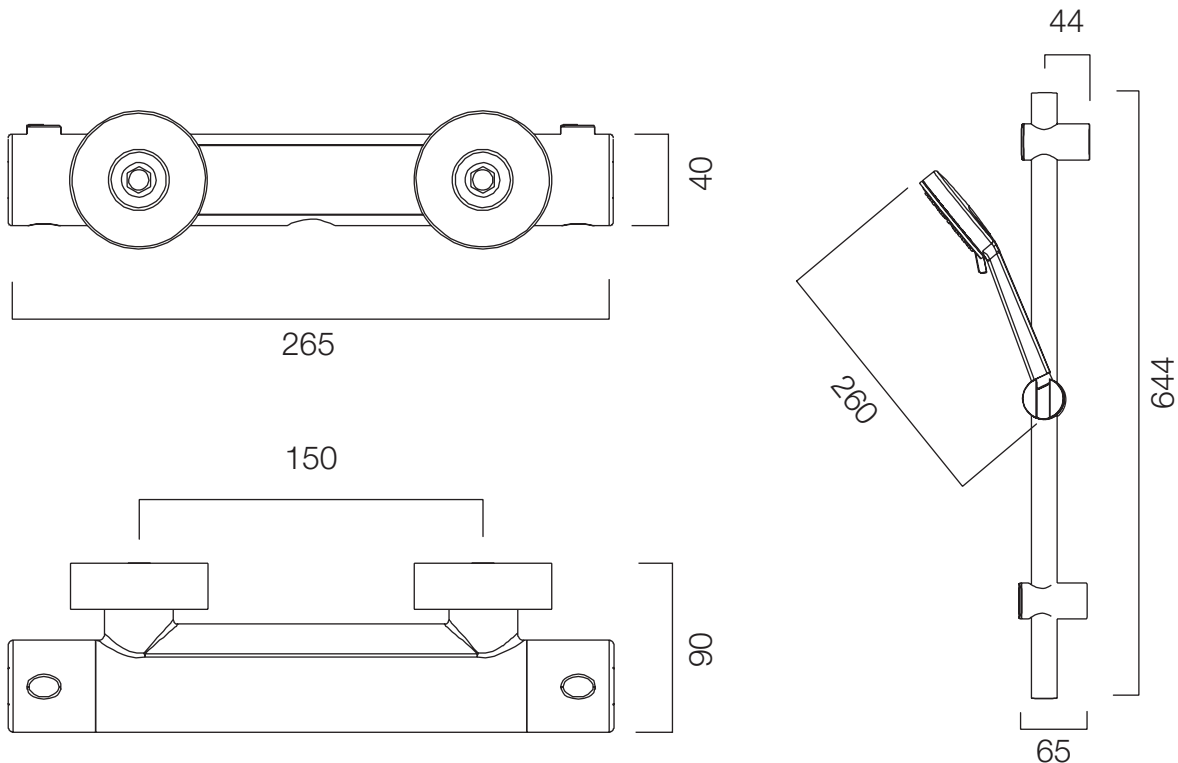


Inlet Pressure	Flow Rate (l/min)
0.2bar	5.50
0.3bar	7.00
0.5bar	8.00
1bar	9.50
2bar	12.50

Flow from valve may vary depending on accessories and domestic supply.

Dimensions - DC3001

Diagrams not to scale. All dimensions in mm (tolerance of +/-5mm)



FAQs

How tall is the riser rail? 644mm, fixing points are adjustable

How long is the shower hose? 1.5m

What is the minimum pressure for the valve? 0.2bar

What is the valve inlet connection size? 3/4" BSP

What is the valve inlet connection size? 1/2" BSP

Materials:

Riser - Stainless Steel

Valve - Chrome Plated Zinc / Plastic Core

Cover Plates - Stainless Steel

Slider - ABS

Technical Data Sheet

Joy Shower Systems



No.	Description	Code	Fixings Included
1	Joy Dual Function Shower System	DC3002	YES

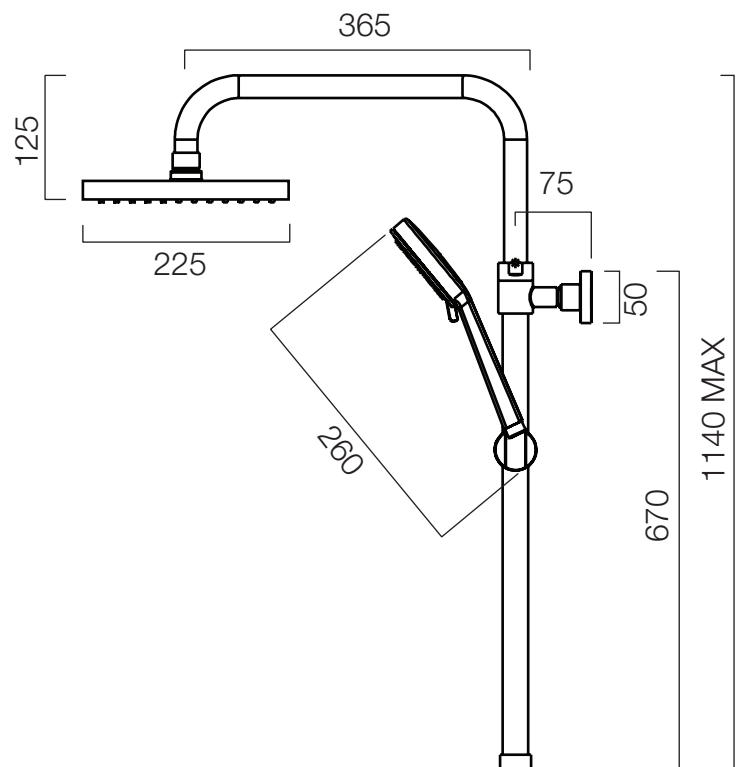
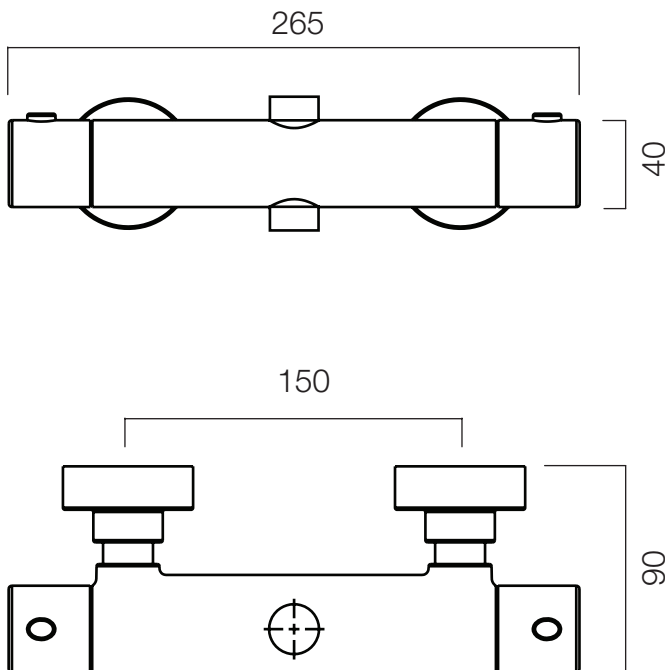


Inlet Pressure	Flow Rate (l/min)
0.5bar	7.00
1bar	8.5
2bar	11.5

Flow from valve may vary depending on accessories and domestic supply.

Dimensions - DC3002

Diagrams not to scale. All dimensions in mm (tolerance of +/-5mm)



FAQs

How tall is the riser rail? Adjustable height - maximum 1140mm

How long is the shower hose? 1.5m

What is the minimum pressure for the valve? 0.5bar

What is the valve inlet connection size? 3/4" BSP

What is the valve inlet connection size? 1/2" BSP

Materials:

Riser - Stainless Steel

Valve - Chrome Plated Zinc / Plastic Core

Cover Plates - Stainless Steel

Slider - ABS

Technical Data Sheet

Joy Shower Systems



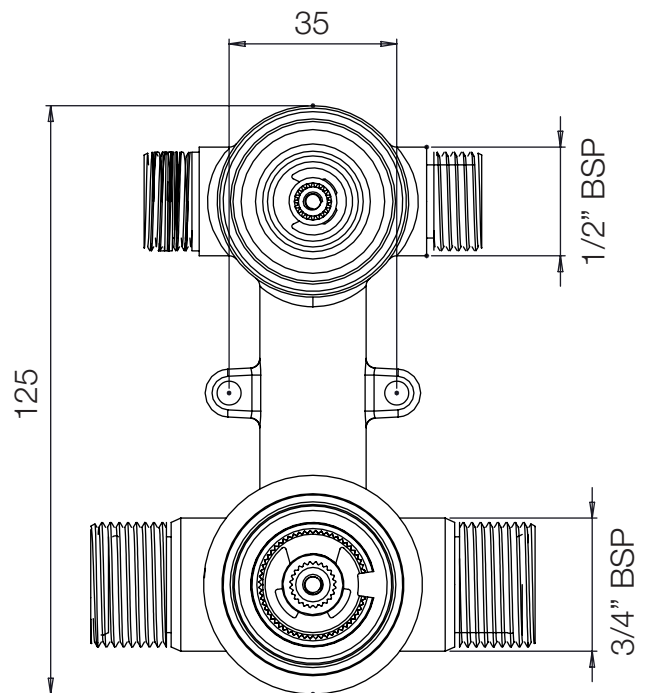
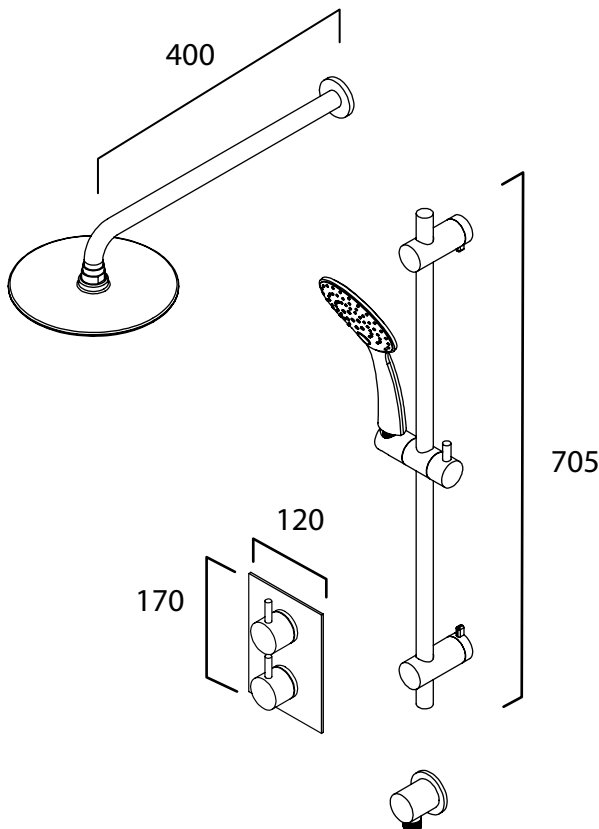
No.	Description	Codes	Fixings Included
1	Joy Concealed Dual Function Shower System with Shower Head and Handset	TR3011	YES



Inlet Pressure	Flow Rate (l/min)
0.5bar	8.00
1bar	9.00
2bar	13.50
3bar	17.50

Dimensions - Overview

Diagrams not to scale. All dimensions in mm (tolerance of +/-5mm)



NOTE: VALVE TO BE RECESSED 80-100mm FROM FINISHED WALL SURFACE

FAQs

How tall is the riser rail? 705mm - the fixing brackets are adjustable and have no fixed distance.

How long is the shower hose? 1.5m

What is the minimum pressure for the valve? 1.0bar

What is the valve inlet connection size? 3/4" BSP

What is the valve outlet connection size? 1/2" BSP

What is the handle material? Chrome-plated brass