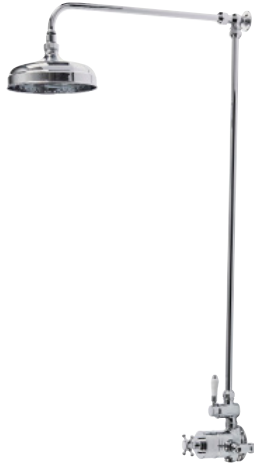


Technical Data Sheet

Cranborne Shower System

ROPER RHODES®

No.	Description	Code	Fixings Included
1	Cranborne Single Function Exposed Shower	SVSET125	YES



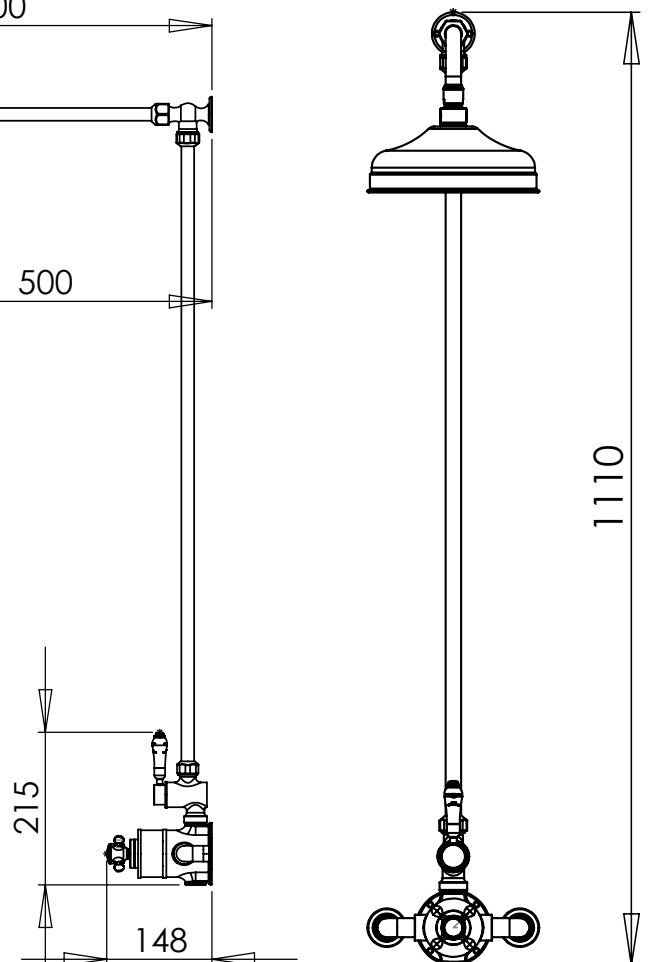
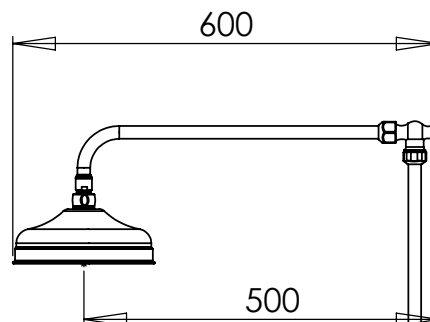
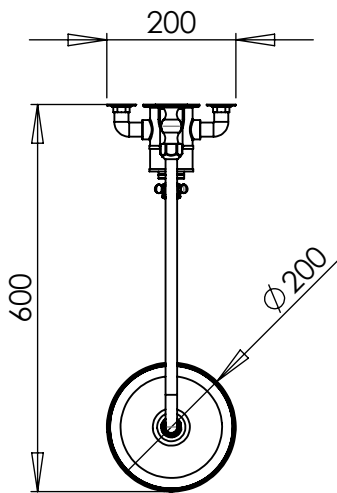
FLOW RATE DATA IS TESTED UNDER LABORATORY CONDITIONS: ACTUAL FLOW RATE MAY VARY DEPENDING ON DOMESTIC SUPPLY AND ACCESSORIES

Min Pressure:	0.3bar
0.3bar	6.74
0.4bar	7.78
0.5bar	8.70
1bar	12.30
2bar	17.39
3bar	18.20

Dimensions - SVSET125

Diagrams not to scale. All dimensions in mm (tolerance of +/-5mm)

*Dimensions are subject to change, customers are advised to measure actual product before commencing installation.



FAQs

FAQ	Answer
Valve Inlet Dimension	1/2" BSP - 15mm pipework
Valve Outlet Dimension	1/2" BSP - threaded outlet
Adjustment Range of Riser Rail (once fixed to wall)	Riser pipework can be cut down
Hose Length	N/A
Height of Shower Handset (in holder)	N/A

Technical Data Sheet

Cranborne Shower Systems

ROPER RHODES®

No.	Description	Code	Fixings Included
1	Cranborne Dual Function Exposed Shower System	SVSET124	YES



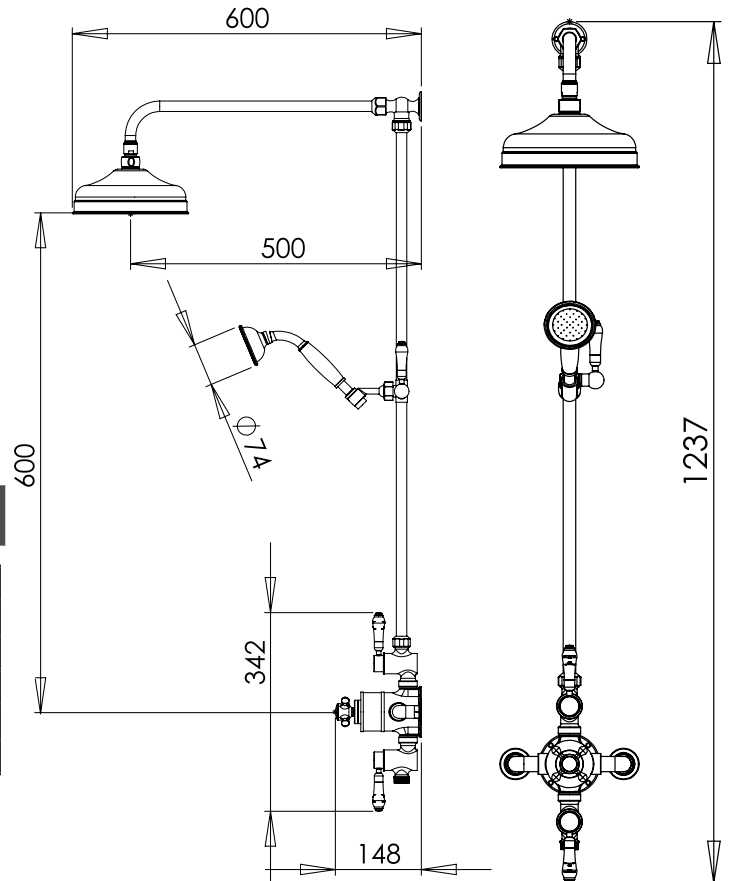
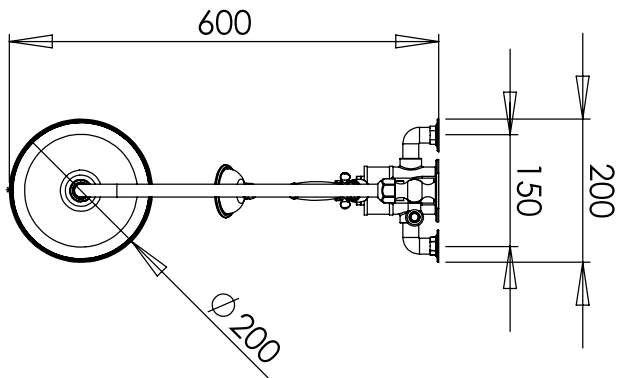
FLOW RATE DATA IS TESTED UNDER LABORATORY CONDITIONS: ACTUAL FLOW RATE MAY VARY DEPENDING ON DOMESTIC SUPPLY AND ACCESSORIES

Min Pressure:	0.5bar
0.5bar	8.63
1bar	12.20
2bar	17.25
3bar	17.80
4bar	24.40
5bar	27.04

Dimensions - SVSET124

Diagrams not to scale. All dimensions in mm (tolerance of +/-5mm)

*Dimensions are subject to change, customers are advised to measure actual product before commencing installation.



FAQs

FAQ	Answer
Valve Inlet Dimension	1/2" BSP - 15mm pipework
Valve Outlet Dimension	1/2" BSP - threaded outlets
Adjustment Range of Riser Rail (once fixed to wall)	Riser pipework can be cut down
Hose Length	1.5m
Height of Shower Handset (in holder)	Adjustable slider handset

Technical Data Sheet

Cranborne Shower Systems

ROPER RHODES®

No.	Description	Code	Fixings Included
1	Cranborne Dual Function Concealed Diverter Shower System	SVSET126	YES



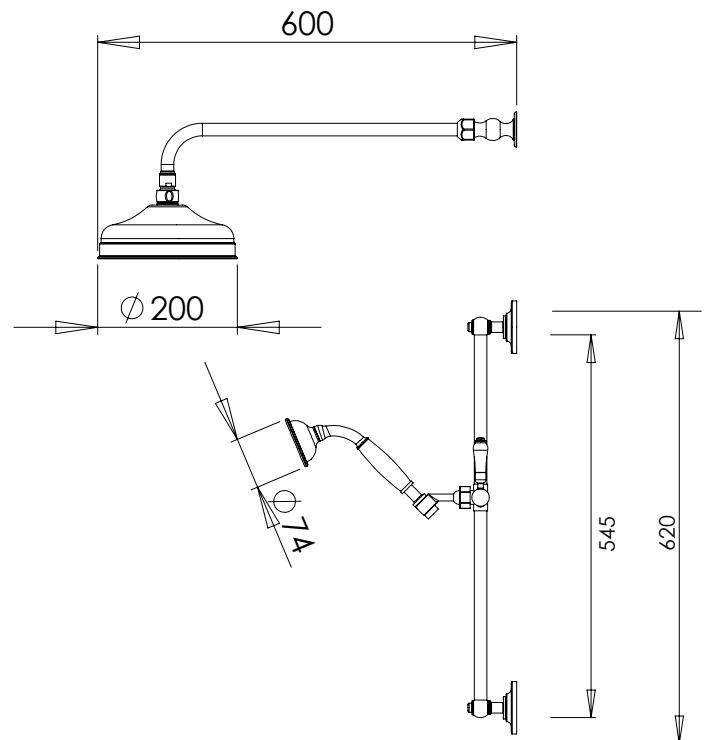
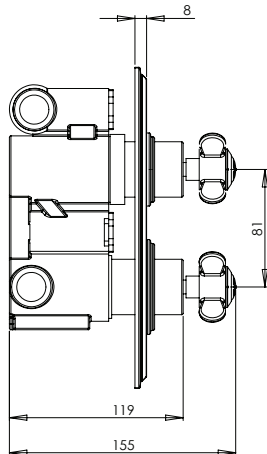
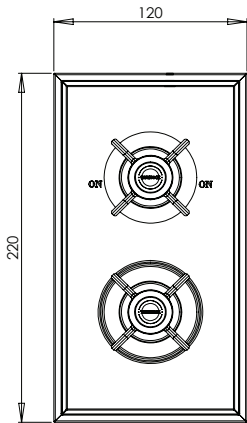
FLOW RATE DATA IS TESTED UNDER LABORATORY CONDITIONS: ACTUAL FLOW RATE MAY VARY DEPENDING ON DOMESTIC SUPPLY AND ACCESSORIES

Min Pressure:	0.5bar
0.5bar	8.84
1bar	12.124
2bar	17.68
3bar	18.40
4bar	25.00
5bar	27.70

Dimensions - SVSET126

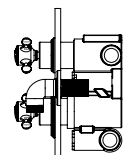
Diagrams not to scale. All dimensions in mm (tolerance of +/-5mm)

*Dimensions are subject to change, customers are advised to measure actual product before commencing installation.



FAQs

FAQ	Answer
Valve Inlet Dimension	3/4" BSP
Valve Outlet Dimension	3/4" BSP
Adjustment Range of Riser Rail (once fixed to wall)	N/A
Hose Length	1.5m
Height of Shower Handset (in holder)	Adjustable



Technical Data Sheet

Cranborne Shower Systems

ROPER RHODES®

No.	Description	Code	Fixings Included
1	Cranborne Triple Function Concealed Diverter Shower System	SVSET128	YES



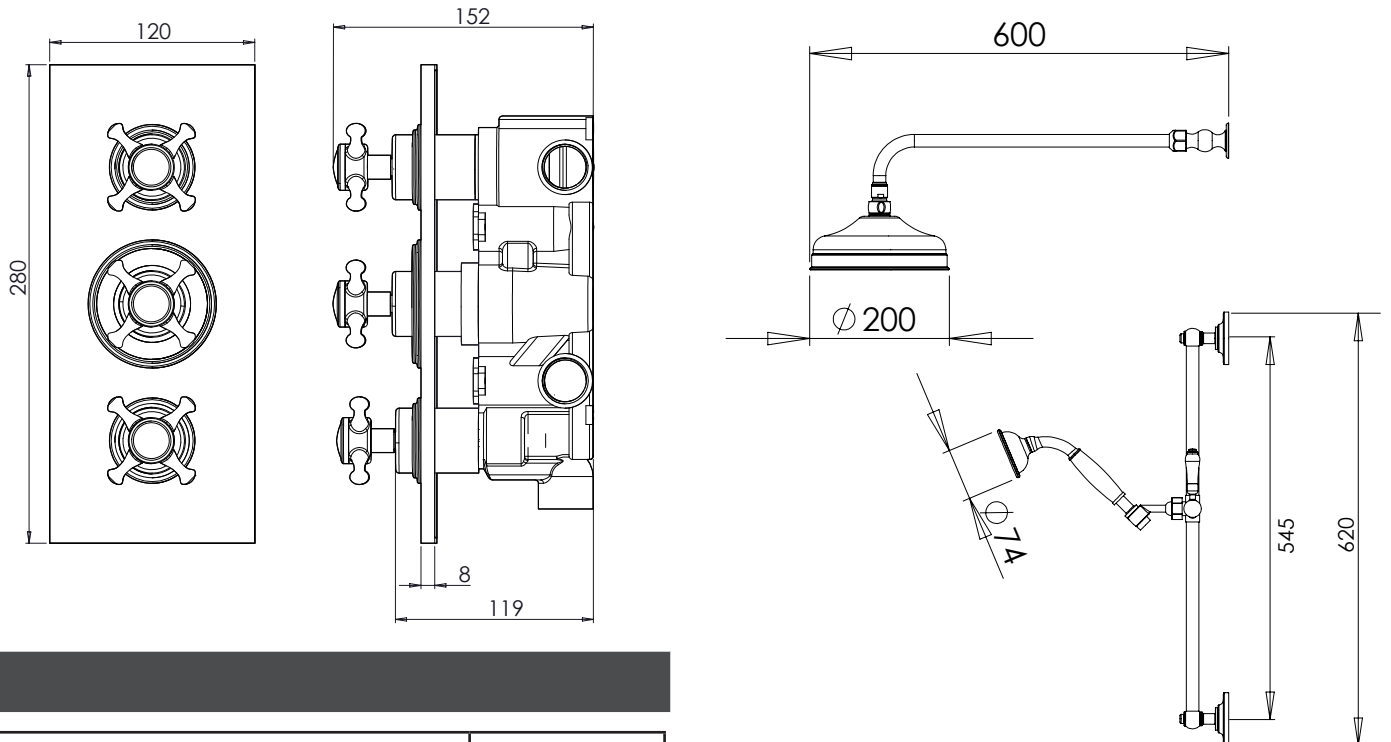
FLOW RATE DATA IS TESTED UNDER LABORATORY CONDITIONS: ACTUAL FLOW RATE MAY VARY DEPENDING ON DOMESTIC SUPPLY AND ACCESSORIES

Min Pressure:	0.5bar
0.5bar	8.84
1bar	12.124
2bar	17.68
3bar	18.40
4bar	25.00
5bar	27.70

Dimensions - SVSET128

Diagrams not to scale. All dimensions in mm (tolerance of +/-5mm)

*Dimensions are subject to change, customers are advised to measure actual product before commencing installation.



FAQs

FAQ	Answer
Valve Inlet Dimension	3/4 BSP
Valve Outlet Dimension	3/4" BSP
Adjustment Range of Riser Rail (once fixed to wall)	N/A
Hose Length	1.5m
Height of Shower Handset (in holder)	Adjustable

Technical Data Sheet

Cranborne Shower Systems

ROPER RHODES®

No.	Description	Code	Fixings Included
1	Cranborne Single Function Concealed Shower	SVSET127	YES



FLOW RATE DATA IS TESTED UNDER LABORATORY CONDITIONS: ACTUAL FLOW RATE MAY VARY DEPENDING ON DOMESTIC SUPPLY AND ACCESSORIES

Min Pressure:	0.3bar
0.3bar	6.90
0.4bar	7.97
0.5bar	8.91
1bar	12.60
2bar	17.82
3bar	18.80

Dimensions - SVSET127

Diagrams not to scale. All dimensions in mm (tolerance of +/-5mm)

*Dimensions are subject to change, customers are advised to measure actual product before commencing installation.

