

# Technical Data Sheet

## Keswick Shower System

# ROPER RHODES®

| No. | Description                                   | Code     | Fixings Included |
|-----|---|----------|------------------|
| 1   | Keswick Single Function Exposed Shower System | SVSET130 | YES              |



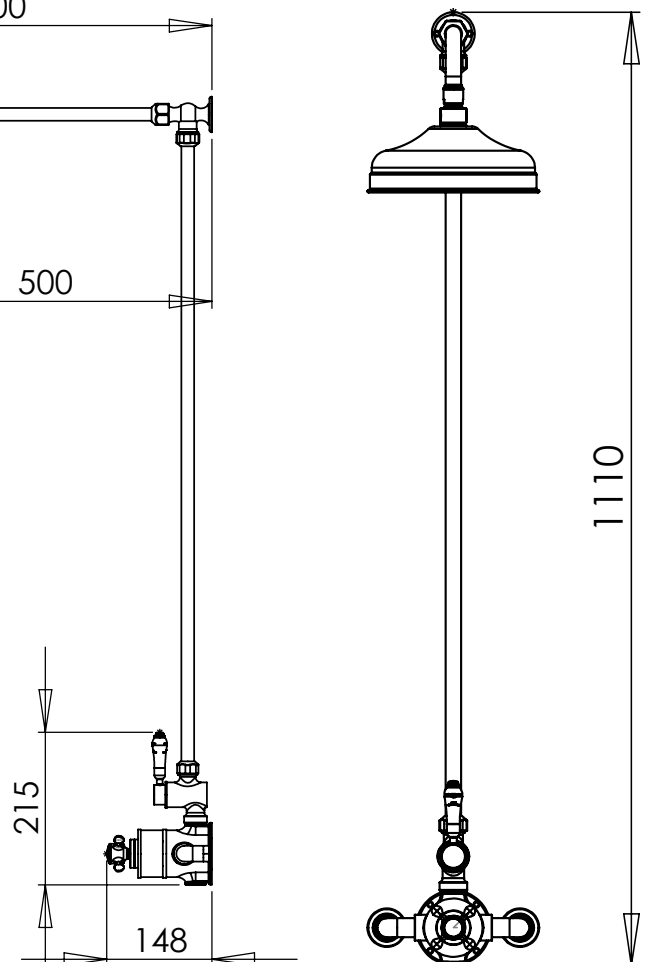
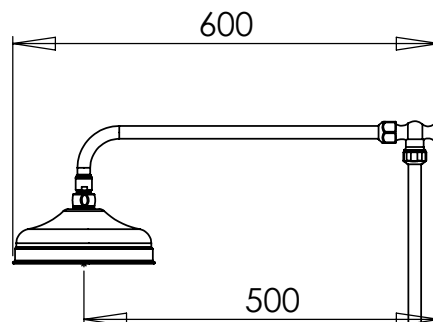
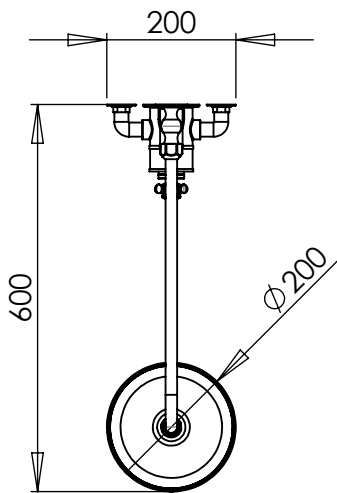
|               |        |
|---------------|--------|
| Min Pressure: | 0.3bar |
| 0.3bar        | 6.74   |
| 0.4bar        | 7.78   |
| 0.5bar        | 8.70   |
| 1bar          | 12.30  |
| 2bar          | 17.39  |
| 3bar          | 18.20  |

Flow from valve may vary depending on accessories and domestic supply.

### Dimensions - SVSET130

Diagrams not to scale. All dimensions in mm (tolerance of +/-5mm)

\*Dimensions are subject to change, customers are advised to measure actual product before commencing installation.



### FAQs

| FAQ   | Answer                         |
|---|--------------------------------|
| Valve Inlet Dimension                               | 1/2" BSP - 15mm pipework       |
| Valve Outlet Dimension                              | 1/2" BSP - threaded outlet     |
| Adjustment Range of Riser Rail (once fixed to wall) | Riser pipework can be cut down |
| Hose Length   | N/A                            |
| Height of Shower Handset (in holder)                | N/A                            |

# Technical Data Sheet

## Keswick Shower Systems

# ROPER RHODES<sup>®</sup>

| No. | Description                                 | Code     | Fixings Included |
|-----|---|----------|------------------|
| 1   | Keswick Dual Function Exposed Shower System | SVSET129 | YES              |



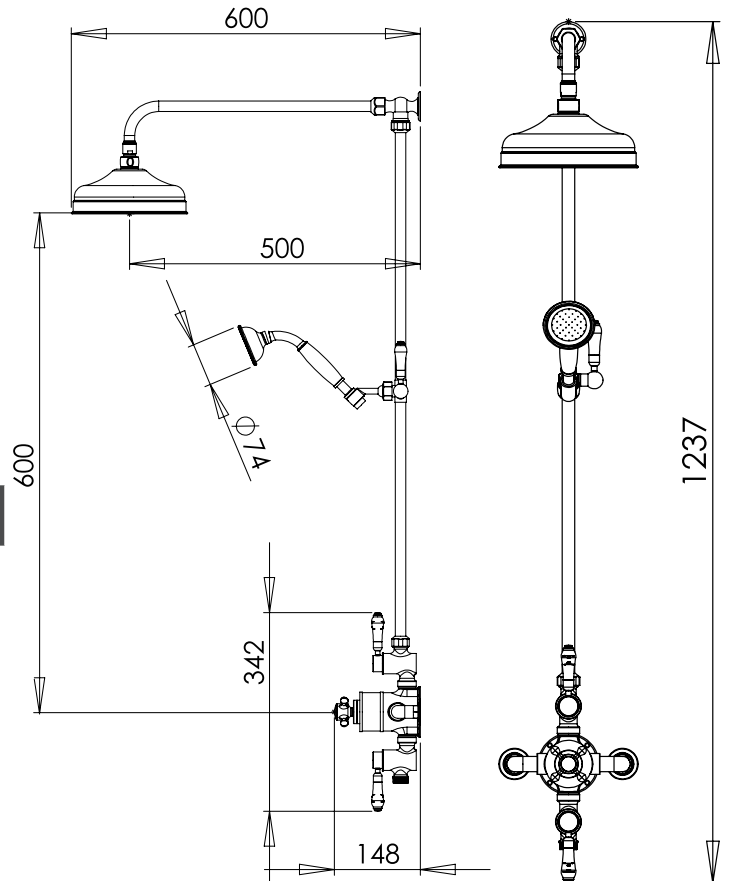
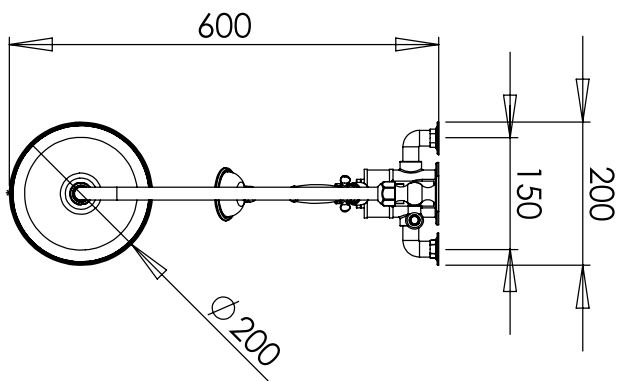
|               |        |
|---------------|--------|
| Min Pressure: | 0.5bar |
| 0.5bar        | 8.63   |
| 1bar          | 12.20  |
| 2bar          | 17.25  |
| 3bar          | 17.80  |
| 4bar          | 24.40  |
| 5bar          | 27.04  |

Flow from valve may vary depending on accessories and domestic supply.

### Dimensions - SVSET129

Diagrams not to scale. All dimensions in mm (tolerance of +/-5mm)

\*Dimensions are subject to change, customers are advised to measure actual product before commencing installation.



### FAQs

| FAQ   | Answer                         |
|---|--------------------------------|
| Valve Inlet Dimension                               | 1/2" BSP - 15mm pipework       |
| Valve Outlet Dimension                              | 1/2" BSP - threaded outlets    |
| Adjustment Range of Riser Rail (once fixed to wall) | Riser pipework can be cut down |
| Hose Length   | 1.5m                           |
| Height of Shower Handset (in holder)                | Adjustable slider handset      |

| No. | Description  | Code     | Fixings Included |
|-----|--|----------|------------------|
| 1   | Keswick Dual Function Concealed Diverter Shower System | SVSET131 | YES              |



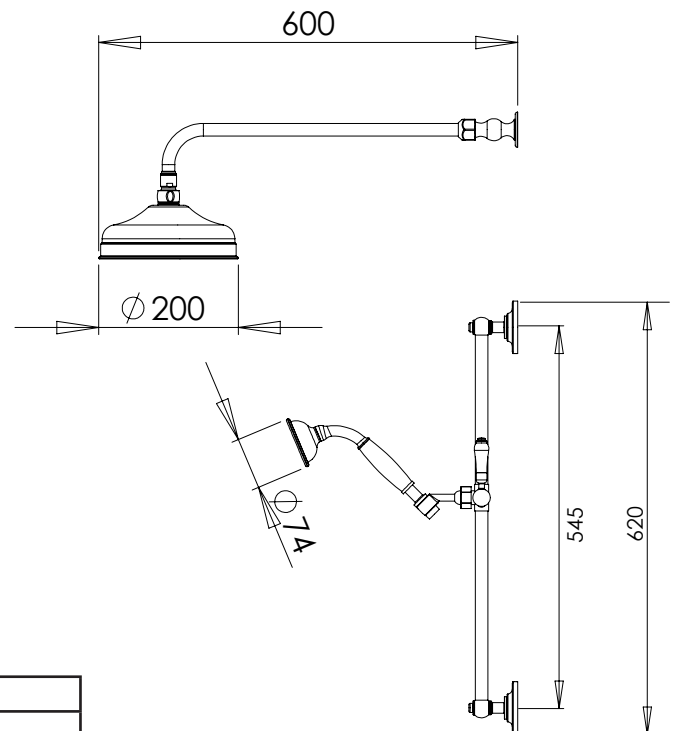
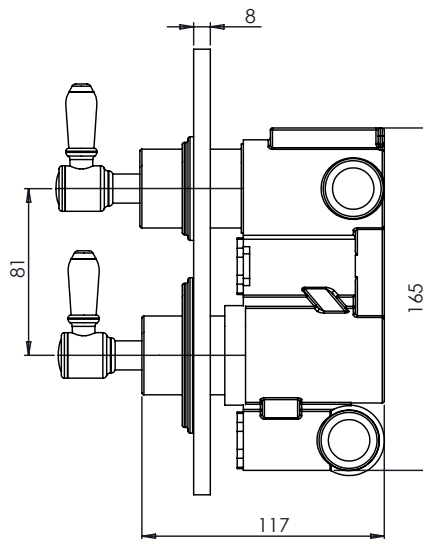
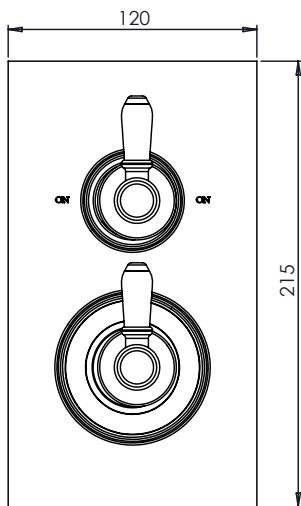
|               |        |
|---------------|--------|
| Min Pressure: | 0.5bar |
| 0.5bar        | 8.84   |
| 1bar          | 12.124 |
| 2bar          | 17.68  |
| 3bar          | 18.40  |
| 4bar          | 25.00  |
| 5bar          | 27.70  |

Flow from valve may vary depending on accessories and domestic supply.

### Dimensions - SVSET131

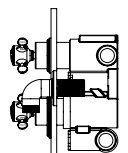
Diagrams not to scale. All dimensions in mm (tolerance of +/-5mm)

\*Dimensions are subject to change, customers are advised to measure actual product before commencing installation.



### FAQs

| FAQ   | Answer                                 |
|---|--|
| Valve Inlet Dimension                               | Half Inch BSP                          |
| Valve Outlet Dimension                              | Half Inch BSP                          |
| Adjustment Range of Riser Rail (once fixed to wall) | Fixed at 545 (can be cut down to size) |
| Hose Length   | 1.5m                                   |
| Height of Shower Handset (in holder)                | Adjustable slider                      |
| Can the shower arm be cut down to length?           | Yes                                    |



# Technical Data Sheet

# ROPER RHODES®

## Keswick Shower Systems

| No. | Description  | Code     | Fixings Included |
|-----|--|----------|------------------|
| 1   | Keswick Triple Function Concealed Diverter Shower System | SVSET133 | YES              |



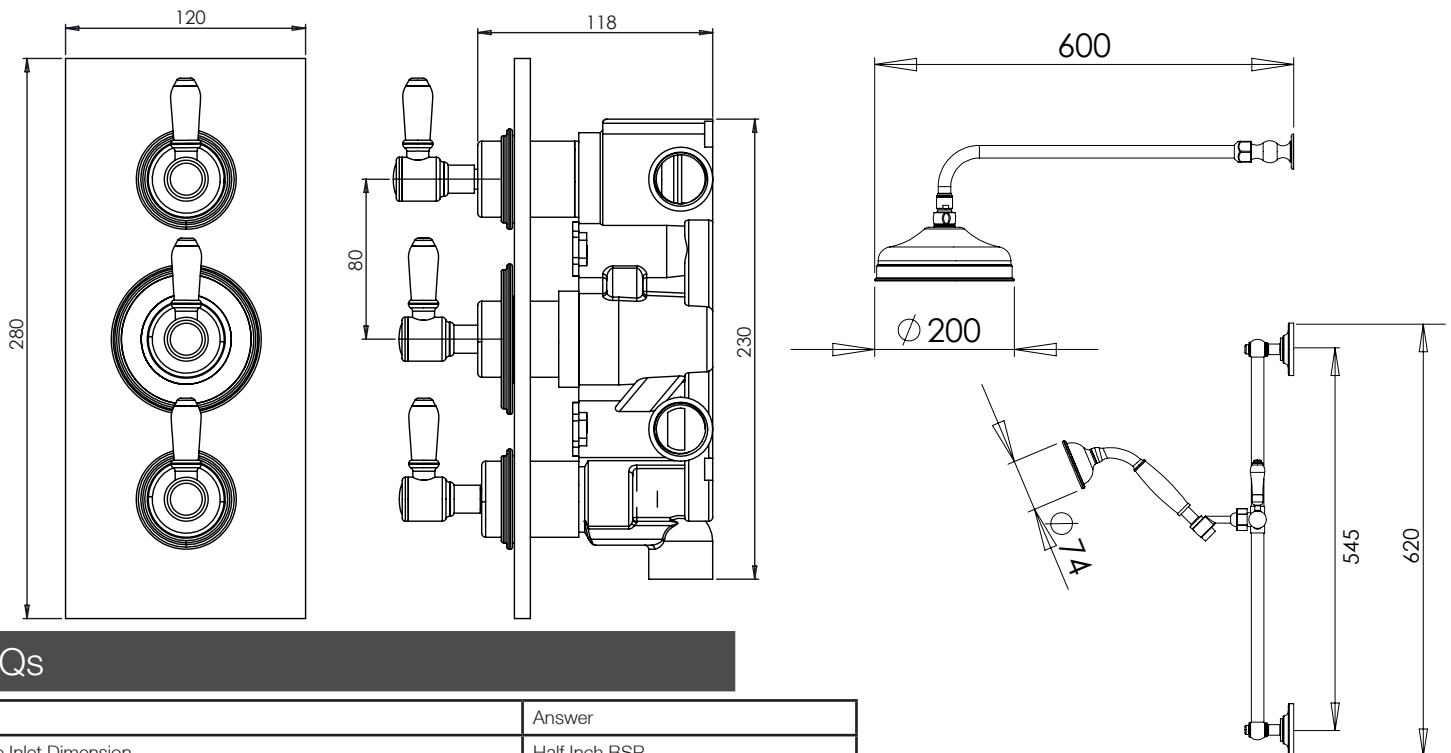
|               |        |
|---------------|--------|
| Min Pressure: | 0.5bar |
| 0.5bar        | 8.84   |
| 1bar          | 12.124 |
| 2bar          | 17.68  |
| 3bar          | 18.40  |
| 4bar          | 25.00  |
| 5bar          | 27.70  |

Flow from valve may vary depending on accessories and domestic supply.

### Dimensions - SVSET133

Diagrams not to scale. All dimensions in mm (tolerance of +/-5mm)

\*Dimensions are subject to change, customers are advised to measure actual product before commencing installation.



### FAQs

| FAQ   | Answer                                 |
|---|--|
| Valve Inlet Dimension                               | Half Inch BSP                          |
| Valve Outlet Dimension                              | Half Inch BSP                          |
| Adjustment Range of Riser Rail (once fixed to wall) | Fixed at 545 (can be cut down to size) |
| Hose Length   | 1.5m                                   |
| Height of Shower Handset (in holder)                | Adjustable slider                      |
| Can the shower arm be cut down to length?           | Yes                                    |

# Technical Data Sheet

## Keswick Shower Systems

# ROPER RHODES®

| No. | Description                                     | Code     | Fixings Included |
|-----|---|----------|------------------|
| 1   | Keswick Single Function Concealed Shower System | SVSET132 | YES              |

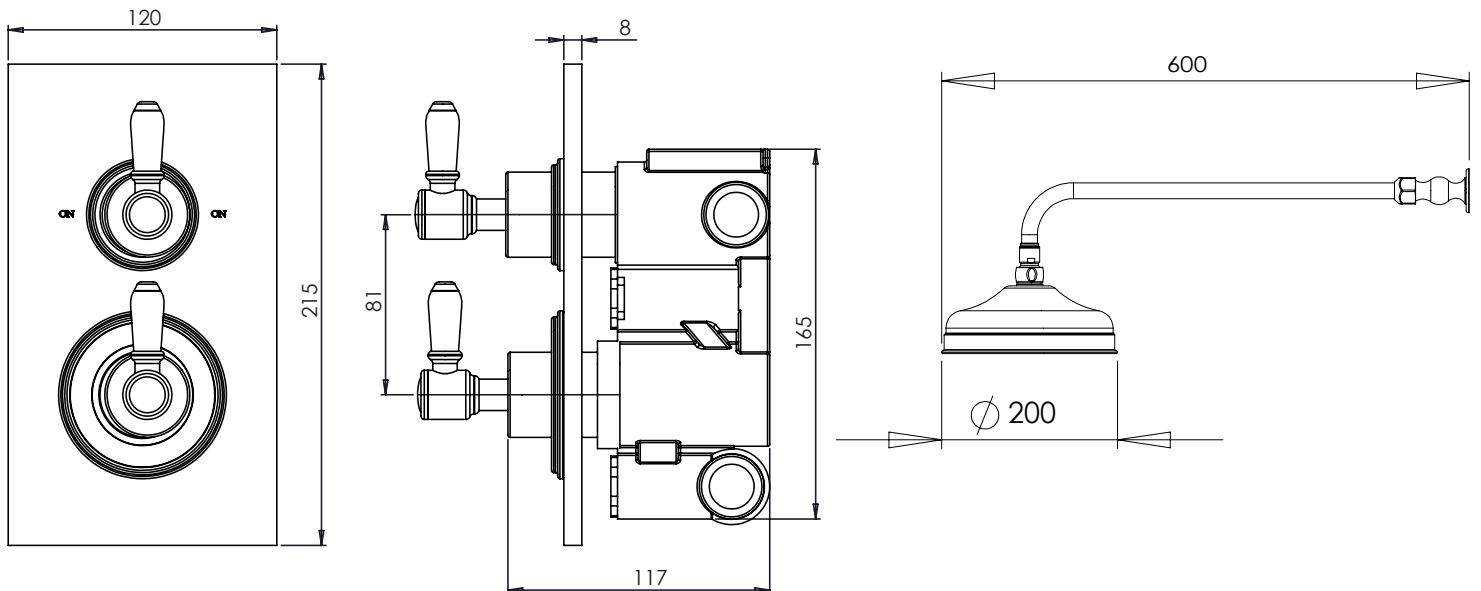


|               |        |
|---------------|--------|
| Min Pressure: | 0.3bar |
| 0.3bar        | 6.90   |
| 0.4bar        | 7.97   |
| 0.5bar        | 8.91   |
| 1bar          | 12.60  |
| 2bar          | 17.82  |
| 3bar          | 18.80  |

Flow from valve may vary depending on accessories and domestic supply.

### Dimensions - SVSET132

\*Dimensions are subject to change, customers are advised to measure actual product before commencing installation. Diagrams not to scale. All dimensions in mm (tolerance of +/-5mm)



### FAQs

| FAQ   | Answer                                 |
|---|--|
| Valve Inlet Dimension                               | Half Inch BSP                          |
| Valve Outlet Dimension                              | Half Inch BSP                          |
| Adjustment Range of Riser Rail (once fixed to wall) | Fixed at 545 (can be cut down to size) |
| Hose Length   | N/A                                    |
| Can the shower arm be cut down in length?           | Yes                                    |