

# Technical Data Sheet

# ROPER RHODES®

## Storm Side Action Basin Mixer - T221602

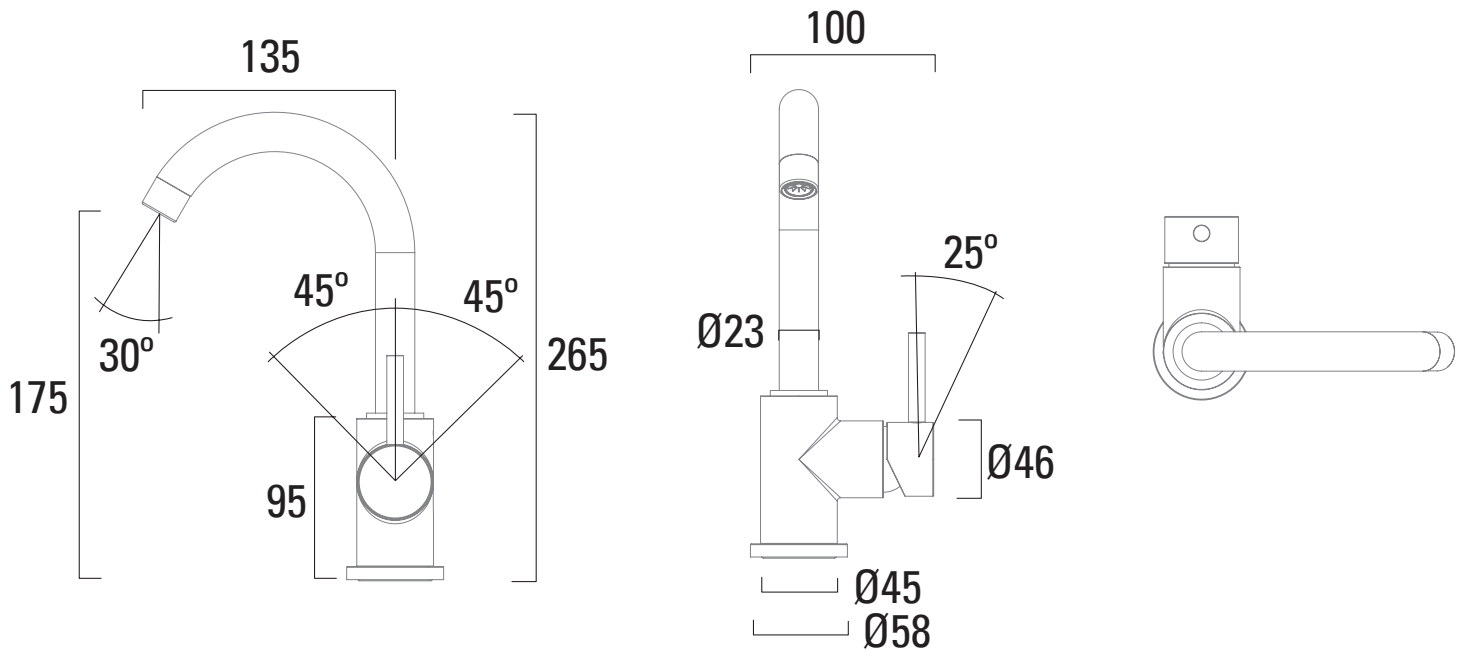
No.	Description	Code	Fixings Included
1	Storm Side Action Basin Mixer	T221602	YES



Min Pressure:	0.1bar
0.1bar	6.8 litres / min
0.2bar	7.4 litres / min
0.3bar	9 litres / min
0.4bar	10.5 litres / min
0.5bar	12.6 litres / min
1bar	14.9 litres / min

### Dimensions - T221602

Diagrams not to scale. All dimensions in mm (tolerance of +/-5mm)



\*Dimensions are subject to change, customers are advised to measure actual product before commencing installation.

### FAQs

**What is the size of the tap tail connection?** The tap tails have a standard 1/2" BSP fixing.

**What bore is the tap tail?** The tails have a 10mm internal bore.

**What length are the tap tails?** The tails are 300mm in length.

**Does the tap come fitted with an aerator?** Yes, the aerator comes pre-installed but can be replaced.