

Technical Data Sheet

ROPER RHODES®

Storm Bath Shower Mixer - T224002

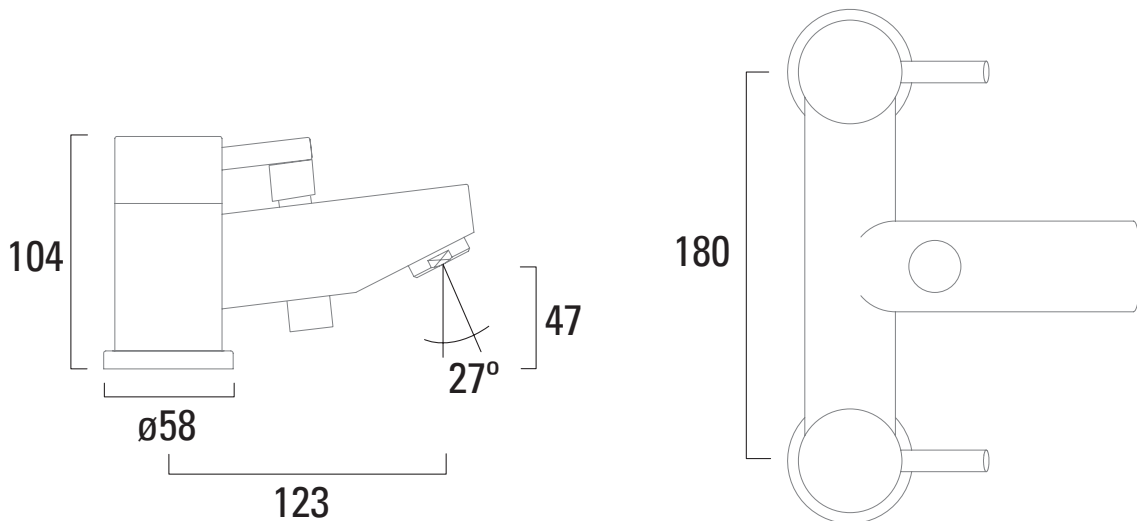
No.	Description	Code	Fixings Included
1	Storm Bath Shower Mixer	T224202	YES



Min Pressure:	0.2bar
0.2bar	11 litres / min
0.3bar	12.6 litres / min
0.4bar	13.7 litres / min
0.5bar	14 litres / min
1bar	15.9 litres / min
2bar	23 litres / min

Dimensions - T224202

Diagrams not to scale. All dimensions in mm (tolerance of +/-5mm)



*Dimensions are subject to change, customers are advised to measure actual product before commencing installation.

FAQs

Does the tap come fitted with an aerator? Yes, the aerator comes pre-installed but can be replaced.

What size plumbing fittings are needed for the threaded legs? This product will work with standard 3/4" plumbing fittings.

What size are the connections for the shower hose? The threaded connections on the shower hose are a standard 1/2" BSP connection.