

Technical Data Sheet

ROPER RHODES®

Wessex Basin Mixer - T661002

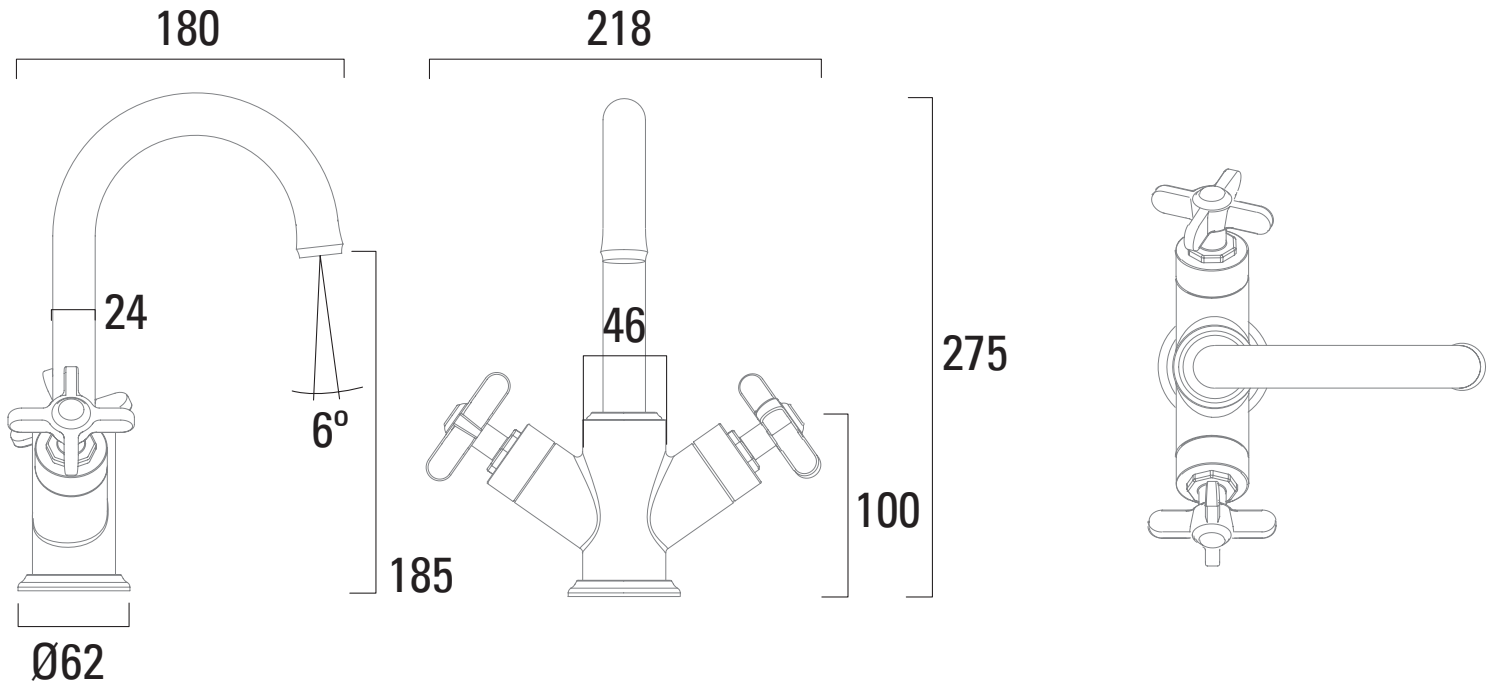
No.	Description	Code	Fixings Included
1	Wessex Basin Mixer	T661002	YES



Min Pressure:	0.3bar
0.2bar	8.5 litres / min
0.3bar	9.7 litres / min
0.4bar	10.6 litres / min
0.5bar	13 litres / min
1bar	17.2 litres / min
2bar	28.1 litres / min

Dimensions - T661002

Diagrams not to scale. All dimensions in mm (tolerance of +/-5mm)



*Dimensions are subject to change, customers are advised to measure actual product before commencing installation.

FAQs

What is the size of the tap tail connection? The tap tails have a standard 1/2" BSP fixing.

What bore is the tap tail? The tails have a 10mm internal bore.

What length are the tap tails? The tails are 300mm in length.

Does the tap come fitted with an aerator? Yes, the aerator comes pre-installed but can be replaced.