

TECHNICAL DATA SHEET

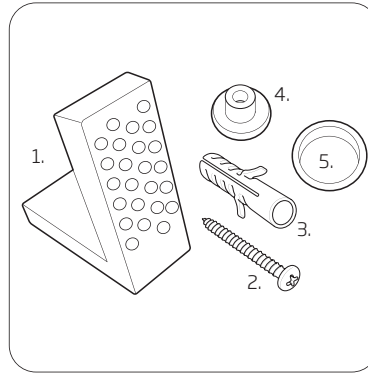
Radar Back To Wall WC Pan - RA560BTW

R2

NO.	Description	Product Code	Fixings included	Gross Weight
1	Soft Close Toilet Seat	RASCTS	YES	2KG
2	Back to Wall WC	RA560BTW	YES	27KG



Floor Fixings

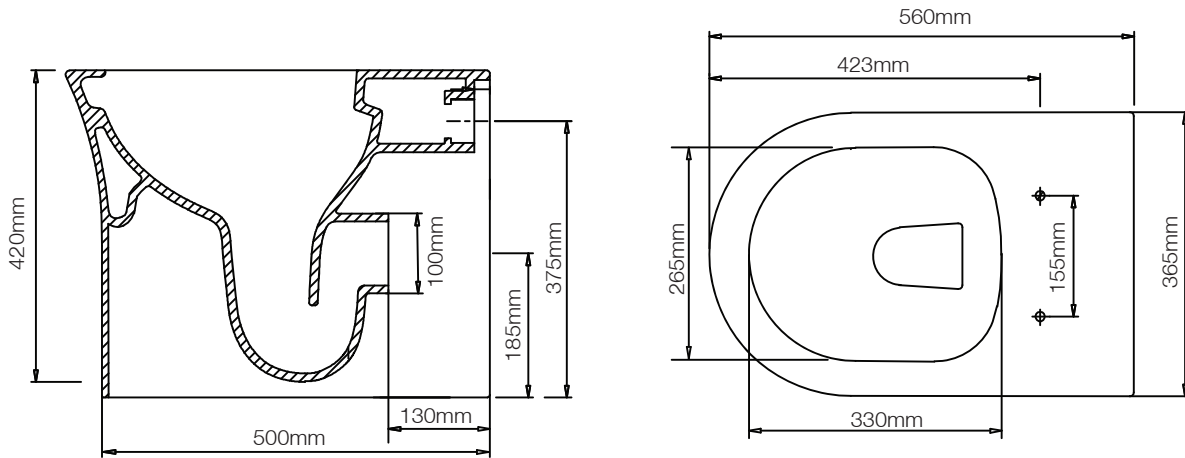


- 1. 2x Nylon Floor Bracket
- 2. 4x Stainless Steel Screws
- 3. 2x Nylon Screw Plugs
- 4. 2x Nylon Screw Collars
- 5. 2x Nylon Collars Caps (Metalic Finish)

Spare Code: SP14211

DIMENSIONS

DIAGRAMS NOT TO SCALE | ALL DIMENSIONS IN MM TOLERANCE OF ± 5 MM
ALL PRODUCTS CONFORM TO BRITISH STANDARDS



*Dimensions are subject to change, customers are advised to measure actual product before commencing installation.

**Fixing point dimensions are for guidance only. The positions of fixings must be checked when product is received.

FAQs

Q - Are there any other compatible seats?

A - Yes - Wrap over SC Seat (DSCTS2)

Q - Which concealed cistern do I use?

A - Torrent (TR9001) or Cascade (TR9002), depending on whether the water feed is bottom or side access. An In-Wall cistern (TR9009) is available for tiled-in installations.

Q - Rim type?

A - Rimless

Q - Can the ceramic brace bar be removed?

A - Yes

Key Dimensions Descriptions	Key Dimensions (mm)
Front to Back Footprint	500mm
Left to Right Footprint	240mm
Bowl Front to Back	330mm
Bowl Left to Right	265mm
Pan Height	420mm
Pan Overall front to Back	560mm
Centre Flush Inlet to Floor	375mm
Centre Waste Outlet to Floor	185mm
Width of Void	210mm
Is there a Ceramic Brace Bar	Yes
Distance from Spigot to back of Pan	130mm