

TECHNICAL DATA SHEET

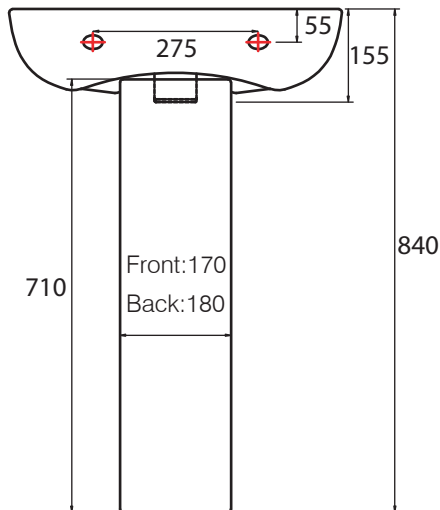
Radar 550 Basin and Pedestal

R2

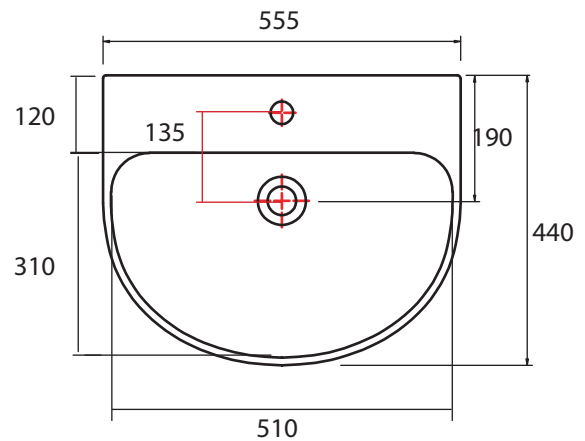
NO.	Description	Product Code	Fixings included	Gross Weight
1	550 Large Basin	RA550SB	YES	14KG
2	Pedestal	RARDPED	NO	12.7KG



DIMENSIONS



DIAGRAMS NOT TO SCALE | ALL DIMENSIONS IN MM TOLERANCE OF ± 5 MM
ALL PRODUCTS CONFORM TO BRITISH STANDARDS



*Dimensions are subject to change, customers are advised to measure actual product before commencing installation.
**Fixing point dimensions are for guidance only. The positions of fixings must be checked when product is received.

FAQs

Q - Position of fixing points?
A - input info

Q - Does this basin have an integrated overflow?
A - Yes

Q - What is the maximum water depth of the basin?
A - 60mm up to the overflow.

Basin

Key Dimensions Descriptions	Key Dimensions (mm)
Internal Basin Depth	105mm
Internal Basin Front to Back	310mm
Internal Basin Left to Right	510mm
Tap Ledge	120mm
Taphole Centre to Waste Centre	135mm
Taphole Centre to Back of Basin	55mm
Waste Centre to Back of Basin	190mm
Width of Basin	555mm
Depth of Basin	440mm

Pedestal

Key Dimensions Descriptions	Key Dimensions (mm)
Distance at Rear Base from Wall when Fitted MIN/MAX	105mm
Footprint Front to Back Depth	155mm
Footprint Outside Width Front	170mm
Footprint Outside Width Back	180mm
Cavity Width (Pipe Fit)	100mm
Cavity Depth (Pipe Fit)	140mm
Height Excluding Basin (+Basin)	710mm (840mm)