

# TECHNICAL DATA SHEET

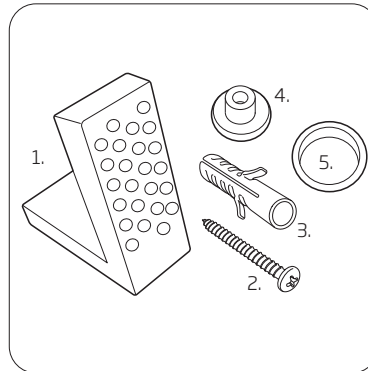
## Radar Close Coupled Open Back WC

R2

NO.	Description	Product Code	Fixings included	Gross Weight
1	Close Coupled Cistern	RA453CCC	YES	13KG
2	Soft Close Toilet Seat	RASCTS	YES	2KG
3	Open Back WC	RA620CCP2	YES	28KG



### Floor Fixings

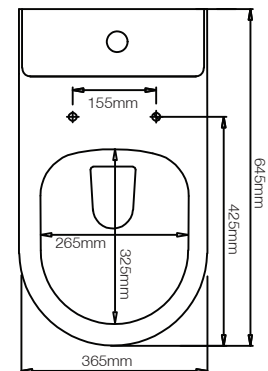
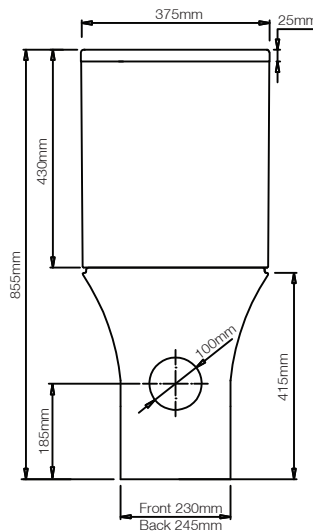
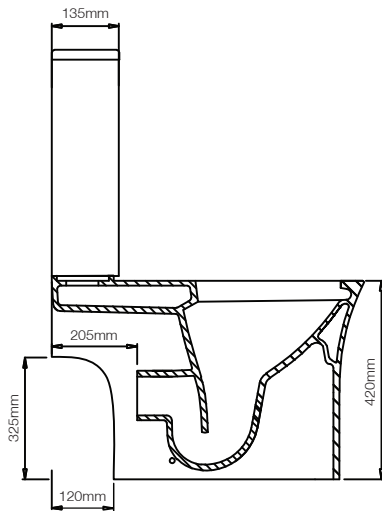


- 1. 2x Nylon Floor Bracket
- 2. 4x Stainless Steel Screws
- 3. 2x Nylon Screw Plugs
- 4. 2x Nylon Screw Collars
- 5. 2x Nylon Collars Caps (Metalic Finish)

Spare Code: SP14211

## DIMENSIONS

DIAGRAMS NOT TO SCALE | ALL DIMENSIONS IN MM TOLERANCE OF  $\pm 5$ MM  
ALL PRODUCTS CONFORM TO BRITISH STANDARDS



\*Dimensions are subject to change, customers are advised to measure actual product before commencing installation.  
\*\*Fixing point dimensions are for guidance only. The positions of fixings must be checked when product is received.

## FAQs

Q - Where is the inlet valve?  
A - Bottom inlet, back left of the pan.

Q - What is the flush volume?  
A - 4.5/3L

Q - Can this pan be used with a side connection outlet pipe?  
A - Yes

Q - Are there any other compatible seats?  
A - Yes - Wrap over SC Seat (DSCTS2)

Q - Rim type?  
A - Rimless

Key Dimensions Descriptions	Key Dimensions (mm)
Front to Back Footprint	365mm
Left to Right Footprint	240mm
Bowl Front to Back	325mm
Bowl Left to Right	265mm
Pan Height (+ Cistern)	420mm (855mm)
Pan Overall Front to Back	645mm
Centre Waste Outlet to Floor	185mm
Width of Void	210mm
Is there a Ceramic Brace Bar	No
Distance from Spigot to back of Pan	205mm