

# TECHNICAL DATA SHEET

## Radar Wrap-Over Soft Close Toilet Seat - DSCTS2

R2

NO.	Description	Product Code	Fixings included	Gross Weight
1	Soft Close Wrap-Over Toilet Seat	DSCTS2	YES	2.6KG



### Spares Codes:

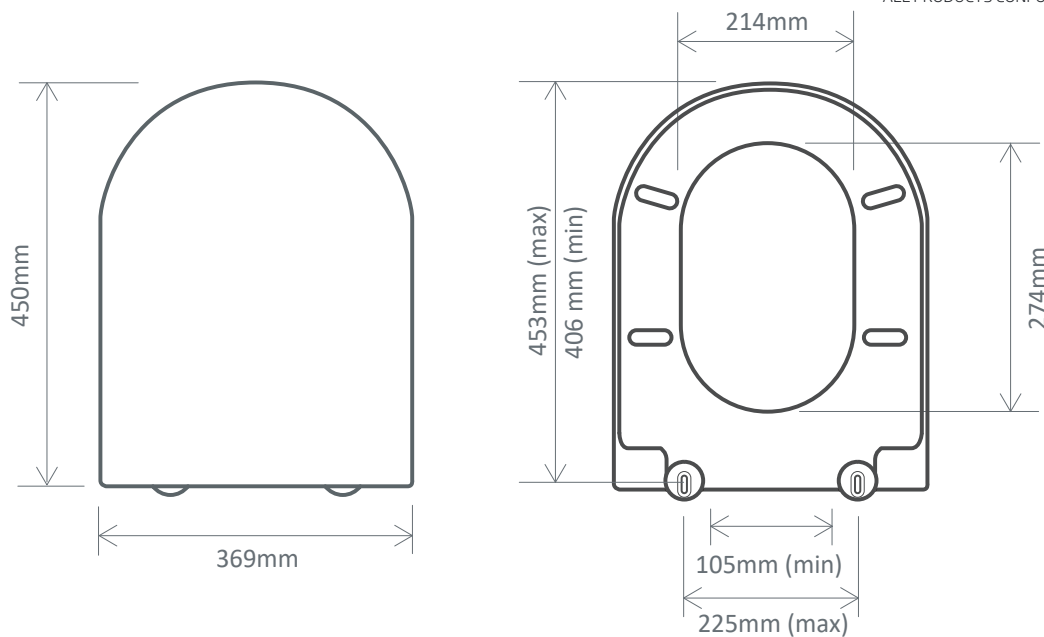
Radar Hinge Fixing Kit - SP17862

Radar Wrap Over Lid Buffer - SP18110

Radar Wrap Over Seat Ring Buffer - SP17852

### DIMENSIONS

DIAGRAMS NOT TO SCALE | ALL DIMENSIONS IN MM TOLERANCE OF  $\pm 5$ MM  
ALL PRODUCTS CONFORM TO BRITISH STANDARDS



\*Dimensions are subject to change, customers are advised to measure actual product before commencing installation.

### FAQs

Q - What's the maximum test load of the seat?

A - 150kg

Q - What are the fixings made from?

A - Stainless Steel Cover Plates/Screws, Nylon Anchor Plates, Rubber Washers, Rubber Fixing Plugs.

Key Dimensions Descriptions	Key Dimensions (mm)
Seat/Lid Front to Back	450mm
Seat/Lid Left to Right	369mm
Ring Hole Front to Back	274mm
Ring Hole Left to Right	214mm
Seat Overall Thickness	45mm
Width of Back of Seat	353mm