

Technical Data Sheet

Regatta Basin Mixer - TR1056



No.	Description	Code	Fixings Included
1	Regatta Basin Mixer	TR1056	YES

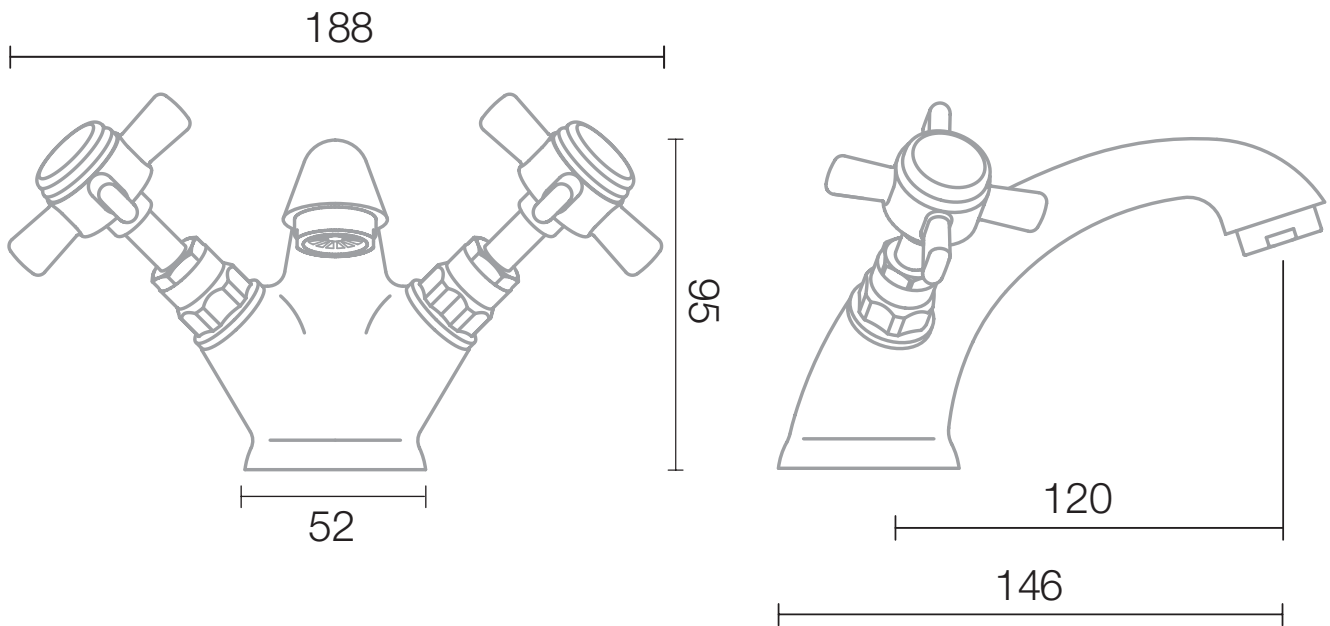


FLOW RATE DATA IS TESTED UNDER LABORATORY CONDITIONS: ACTUAL FLOW RATE MAY VARY DEPENDING ON DOMESTIC SUPPLY AND ACCESSORIES

Pressure:	Flow Rate:
0.2bar	8.4 litres / min
0.3bar	10 litres / min
0.4bar	12.8 litres / min
0.5bar	18.3 litres / min
1bar	26.3 litres / min
2bar	32.3 litres / min

Dimensions - TR1056

Diagrams not to scale. All dimensions in mm (tolerance of +/-5mm)



*Dimensions are subject to change, customers are advised to measure actual product before commencing installation.

FAQs

What is the size of the tap tail connection? The tap tails have a standard 1/2" BSP fixing.

What bore is the tap tail? The tails have a 10mm internal bore.

What length are the tap tails? The tails are 300mm in length.

Does the tap come fitted with an aerator? Yes, the aerator comes pre-installed but can be replaced.

What is the recommended minimum pressure? 0.1 Bar

Technical Data Sheet

Regatta Mini Basin Mixer - TR1059



No.	Description	Code	Fixings Included
1	Regatta Mini Basin Mixer	TR1059	YES

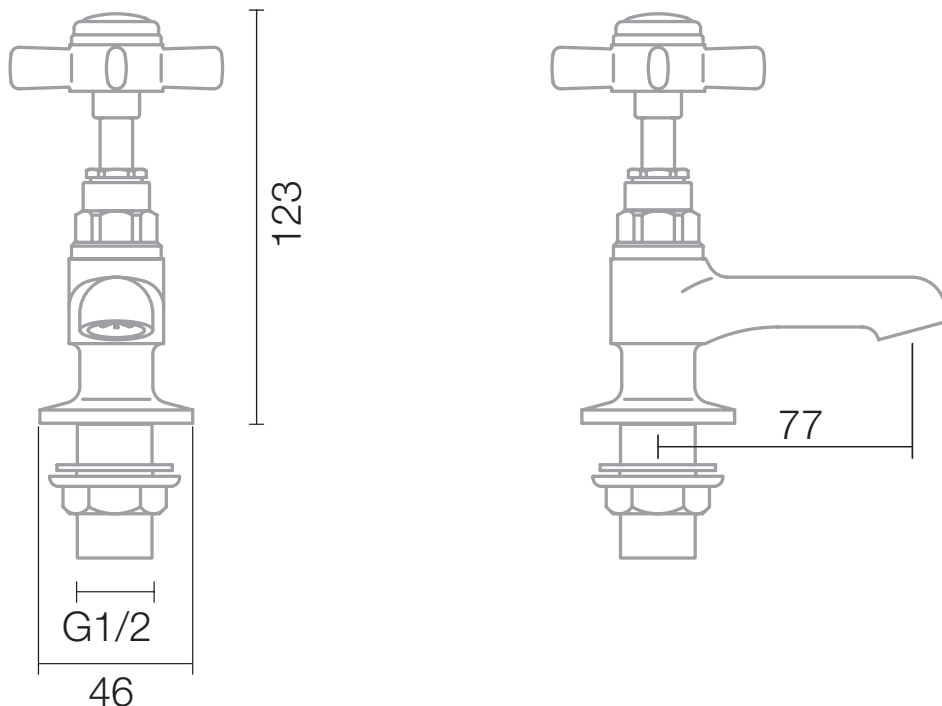


FLOW RATE DATA IS TESTED UNDER LABORATORY CONDITIONS: ACTUAL FLOW RATE MAY VARY DEPENDING ON DOMESTIC SUPPLY AND ACCESSORIES

Pressure:	Flow Rate:
0.2bar	13 litres / min
0.3bar	15.2 litres / min
0.4bar	19.5 litres / min
0.5bar	28.3 litres / min
1bar	36 litres / min

Dimensions - TR1059

Diagrams not to scale. All dimensions in mm (tolerance of +/-5mm)



*Dimensions are subject to change, customers are advised to measure actual product before commencing installation.

FAQs

Does the tap come fitted with an aerator? Yes, aerator comes pre-installed but cannot be replaced.

What size plumbing fittings are needed for the threaded legs? This product will work with standard 1/2" plumbing fittings.

What is the recommended minimum pressure? 0.1 Bar

Technical Data Sheet

Regatta Bath Filler - TR1057



No.	Description	Code	Fixings Included
1	Regatta Bath Filler	TR1057	YES



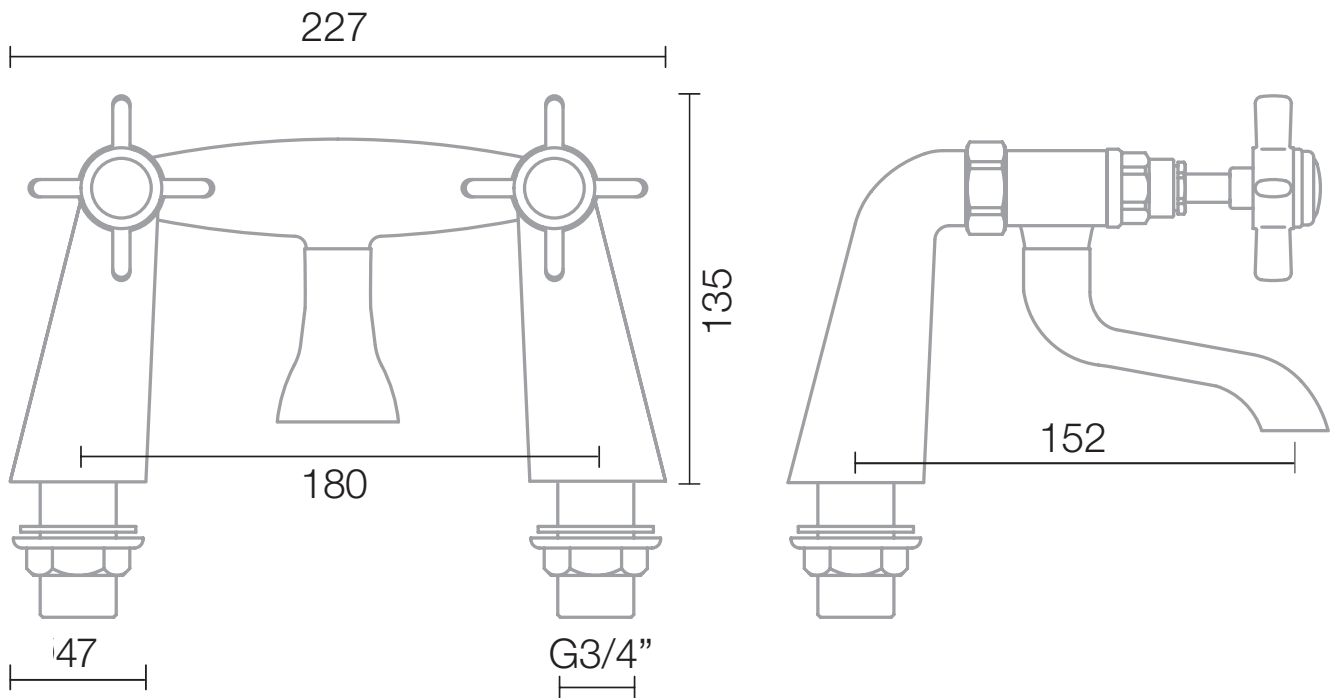
Chrome Plated

FLOW RATE DATA IS TESTED UNDER LABORATORY CONDITIONS: ACTUAL FLOW RATE MAY VARY DEPENDING ON DOMESTIC SUPPLY AND ACCESSORIES

Pressure:	Flow Rate:
0.2bar	13.7 litres / min
0.3bar	17.1 litres / min
0.4bar	21 litres / min
0.5bar	29.9 litres / min
1bar	36.2 litres / min

Dimensions - TR1057

Diagrams not to scale. All dimensions in mm (tolerance of +/-5mm)



*Dimensions are subject to change, customers are advised to measure actual product before commencing installation.

FAQs

Does the tap come fitted with an aerator? No, there is no removable aerator in this product.

What size plumbing fittings are needed for the threaded legs? This product will work with standard 3/4" plumbing fittings.

What is the recommended minimum pressure? 0.2 Bar

Technical Data Sheet

Regatta Bath Shower Mixer - TR1058



No.	Description	Code	Fixings Included
1	Regatta Bath Shower Mixer	TR1058	YES



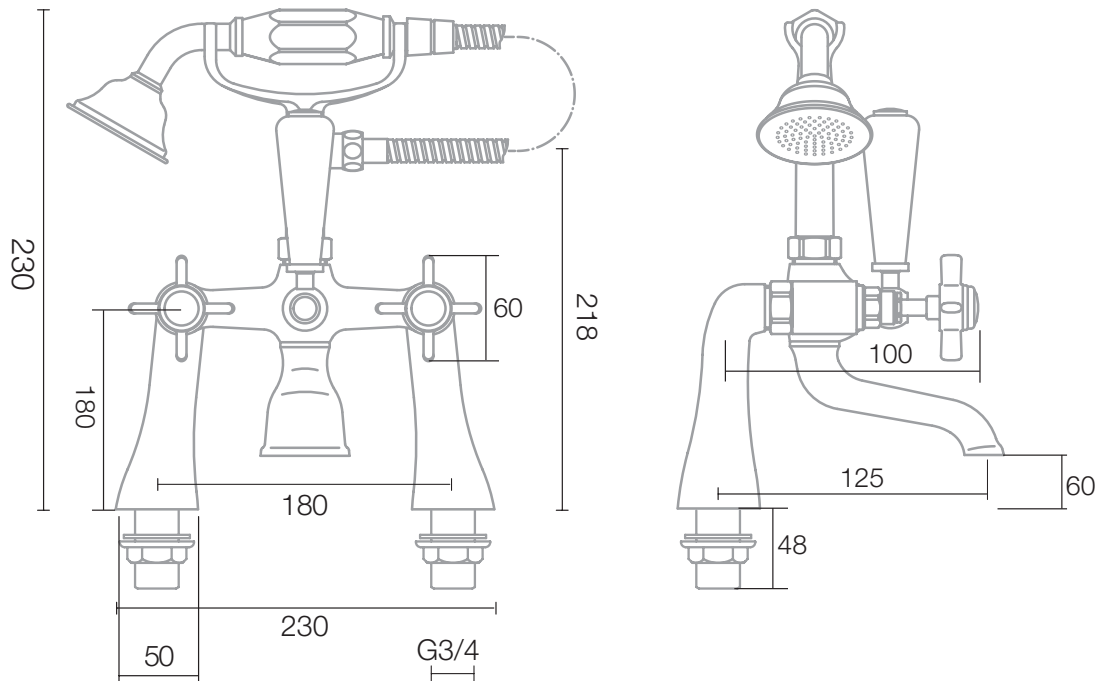
Chrome Plated

FLOW RATE DATA IS TESTED UNDER LABORATORY CONDITIONS: ACTUAL FLOW RATE MAY VARY DEPENDING ON DOMESTIC SUPPLY AND ACCESSORIES

Pressure:	Flow Rate:
0.2bar	12.6 litres / min
0.3bar	14.8 litres / min
0.4bar	19.3 litres / min
0.5bar	27.7 litres / min
1bar	36.5 litres / min

Dimensions - TR1058

Diagrams not to scale. All dimensions in mm (tolerance of +/-5mm)



*Dimensions are subject to change, customers are advised to measure actual product before commencing installation.

FAQs

Does the tap come fitted with an aerator? No, there is no removable aerator in this product.

What size plumbing fittings are needed for the threaded legs? This product will work with standard 3/4" plumbing fittings.

What size are the connections for the shower hose? The threaded connections on the shower hose are a standard 1/2" BSP connection.

What is the recommended minimum pressure? 0.2 Bar