

# Technical Data Sheet

## Regatta Basin Mixer - TR1056

ROPER RHODES®  
TRADE SOLUTIONS

No.	Description	Code	Fixings Included
1	Regatta Basin Mixer	TR1056	YES

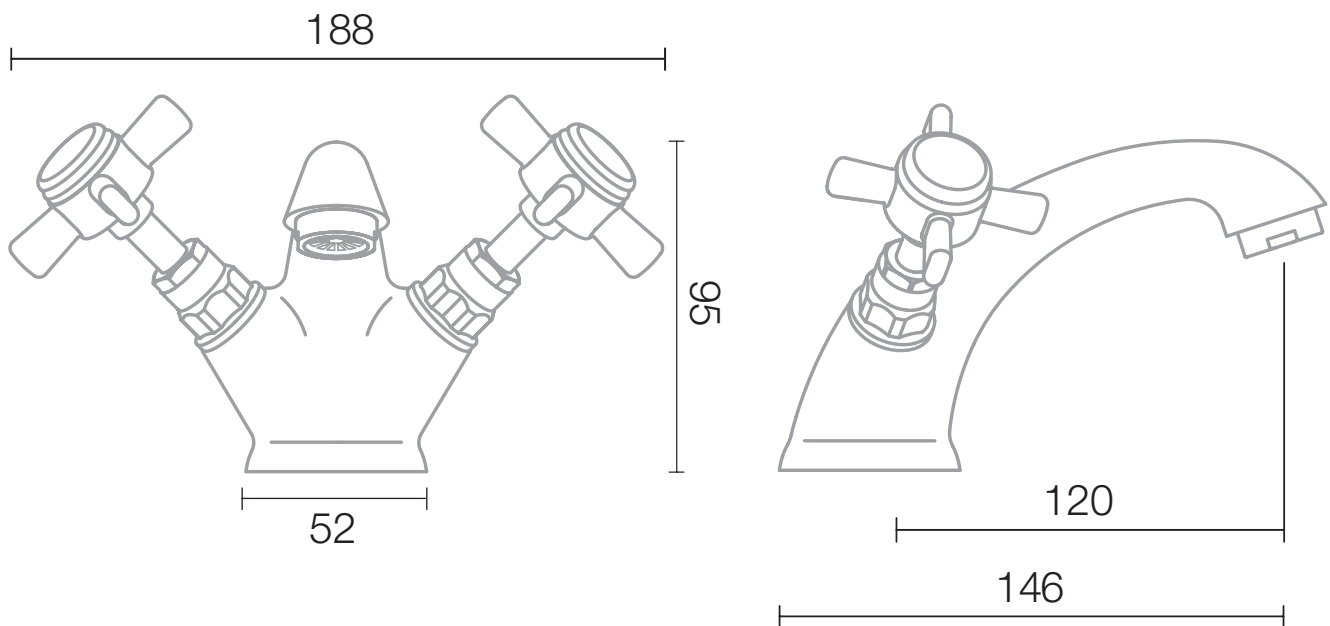


**FLOW RATE DATA IS TESTED UNDER LABORATORY CONDITIONS: ACTUAL FLOW RATE MAY VARY DEPENDING ON DOMESTIC SUPPLY AND ACCESSORIES**

Pressure:	Flow Rate:
0.2bar	8.4 litres / min
0.3bar	10 litres / min
0.4bar	12.8 litres / min
0.5bar	18.3 litres / min
1bar	26.3 litres / min
2bar	32.3 litres / min

### Dimensions - TR1056

Diagrams not to scale. All dimensions in mm (tolerance of +/-5mm)



\*Dimensions are subject to change, customers are advised to measure actual product before commencing installation.

### FAQs

**What is the size of the tap tail connection?** The tap tails have a standard 1/2" BSP fixing.

**What bore is the tap tail?** The tails have a 10mm internal bore.

**What length are the tap tails?** The tails are 300mm in length.

**Does the tap come fitted with an aerator?** Yes, the aerator comes pre-installed but can be replaced.

**What is the recommended minimum pressure?** 0.1 Bar

# Technical Data Sheet

Regatta Mini Basin Mixer - TR1059

ROPER RHODES®  
TRADE SOLUTIONS

No.	Description	Code	Fixings Included
1	Regatta Mini Basin Mixer	TR1059	YES

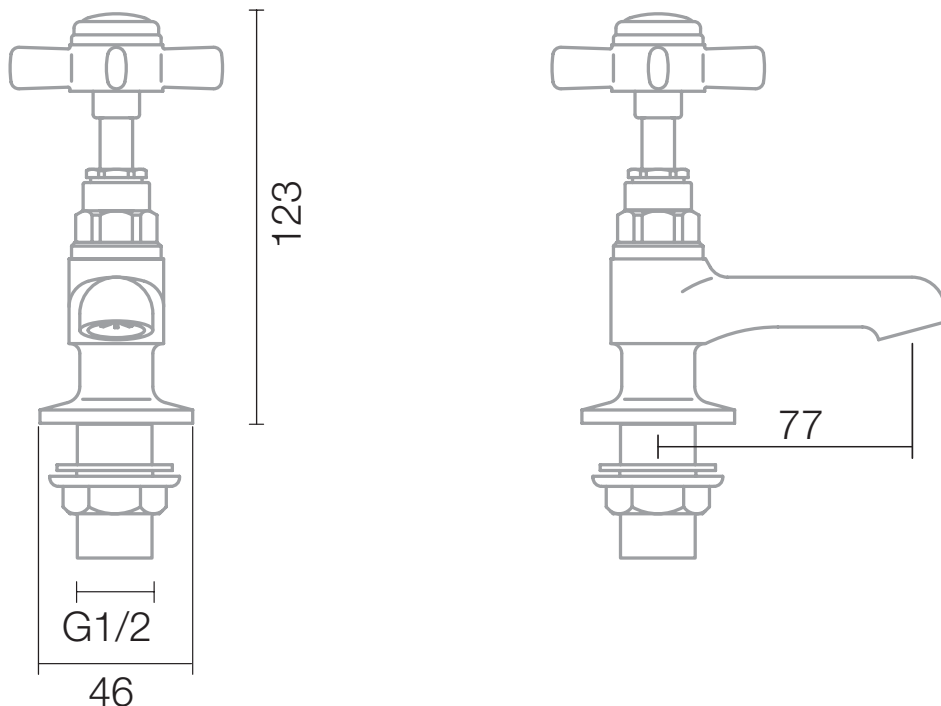


**FLOW RATE DATA IS TESTED UNDER LABORATORY CONDITIONS: ACTUAL FLOW RATE MAY VARY DEPENDING ON DOMESTIC SUPPLY AND ACCESSORIES**

Pressure:	Flow Rate:
0.2bar	13 litres / min
0.3bar	15.2 litres / min
0.4bar	19.5 litres / min
0.5bar	28.3 litres / min
1bar	36 litres / min

## Dimensions - TR1059

Diagrams not to scale. All dimensions in mm (tolerance of +/-5mm)



\*Dimensions are subject to change, customers are advised to measure actual product before commencing installation.

## FAQs

**Does the tap come fitted with an aerator?** Yes, aerator comes pre-installed but cannot be replaced.

**What size plumbing fittings are needed for the threaded legs?** This product will work with standard 1/2" plumbing fittings.

**What is the recommended minimum pressure?** 0.1 Bar

# Technical Data Sheet

Regatta Bath Filler - TR1057

ROPER RHODES®  
TRADE SOLUTIONS

No.	Description	Code	Fixings Included
1	Regatta Bath Filler	TR1057	YES

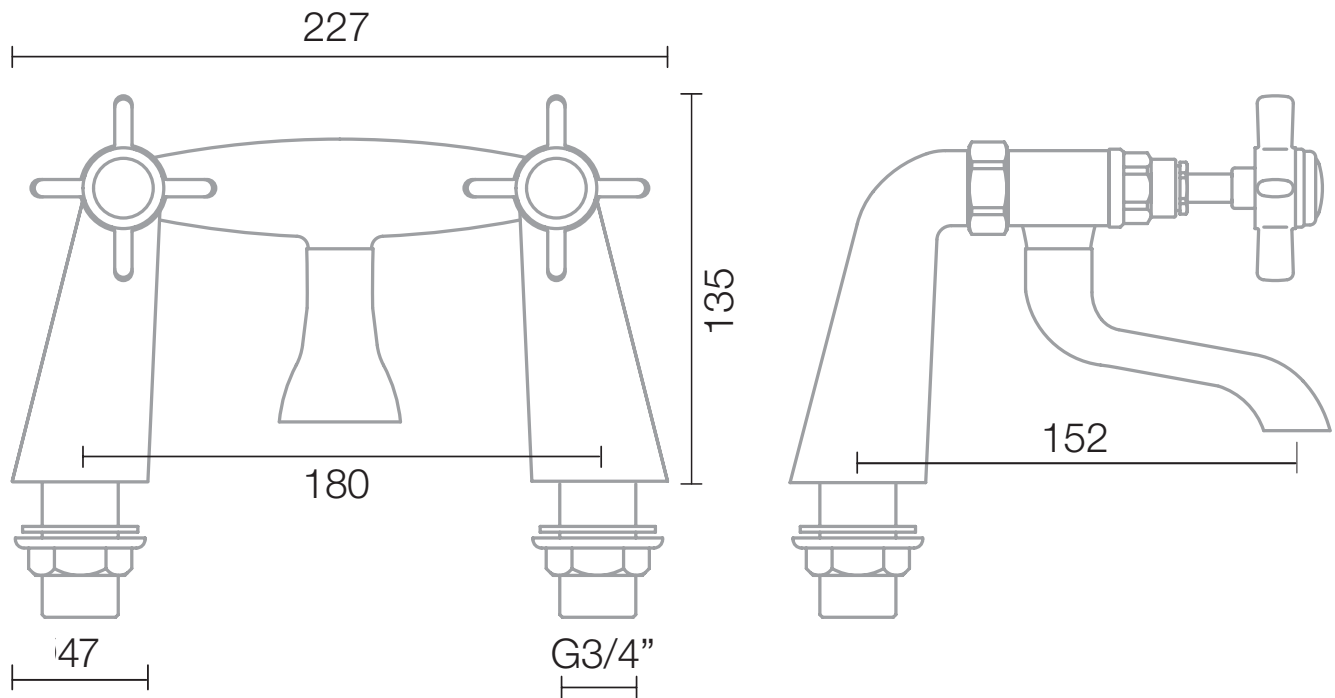


**FLOW RATE DATA IS TESTED UNDER LABORATORY CONDITIONS: ACTUAL FLOW RATE MAY VARY DEPENDING ON DOMESTIC SUPPLY AND ACCESSORIES**

Pressure:	Flow Rate:
0.2bar	13.7 litres / min
0.3bar	17.1 litres / min
0.4bar	21 litres / min
0.5bar	29.9 litres / min
1bar	36.2 litres / min

## Dimensions - TR1057

Diagrams not to scale. All dimensions in mm (tolerance of +/-5mm)



\*Dimensions are subject to change, customers are advised to measure actual product before commencing installation.

## FAQs

**Does the tap come fitted with an aerator?** No, there is no removable aerator in this product.

**What size plumbing fittings are needed for the threaded legs?** This product will work with standard 3/4" plumbing fittings.

**What is the recommended minimum pressure?** 0.2 Bar

# Technical Data Sheet

## Regatta Bath Shower Mixer - TR1058

ROPER RHODES®  
TRADE SOLUTIONS

No.	Description	Code	Fixings Included
1	Regatta Bath Shower Mixer	TR1058	YES



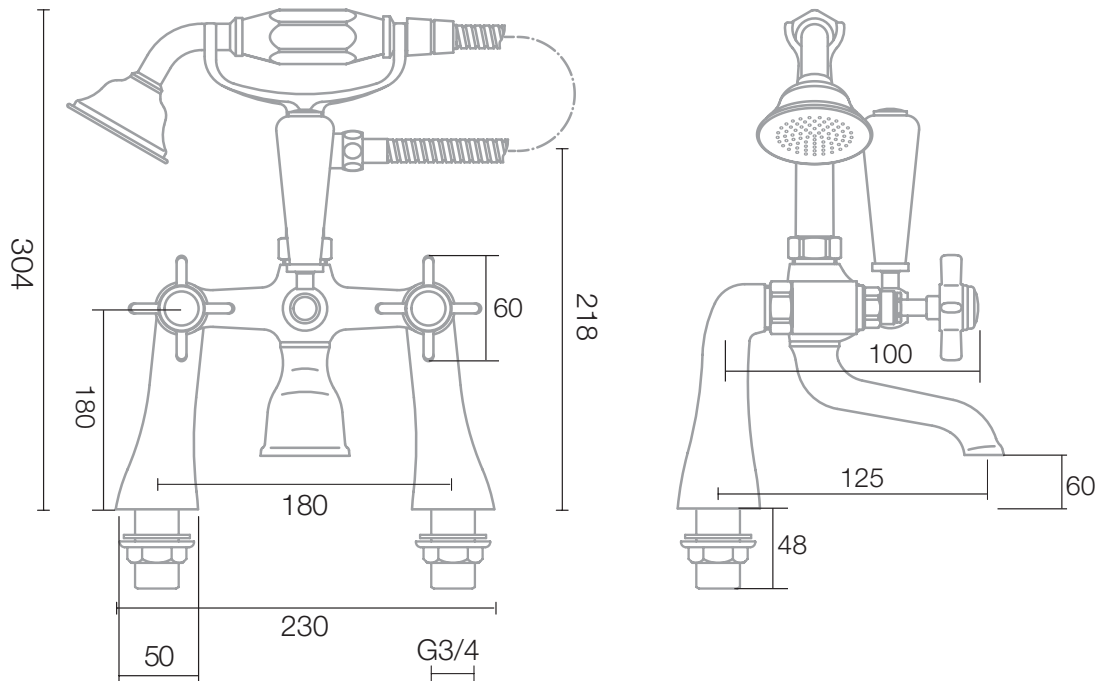
Chrome Plated

**FLOW RATE DATA IS TESTED UNDER LABORATORY CONDITIONS: ACTUAL FLOW RATE MAY VARY DEPENDING ON DOMESTIC SUPPLY AND ACCESSORIES**

Pressure:	Flow Rate:
0.2bar	12.6 litres / min
0.3bar	14.8 litres / min
0.4bar	19.3 litres / min
0.5bar	27.7 litres / min
1bar	36.5 litres / min

### Dimensions - TR1058

Diagrams not to scale. All dimensions in mm (tolerance of +/-5mm)



\*Dimensions are subject to change, customers are advised to measure actual product before commencing installation.

### FAQs

**Does the tap come fitted with an aerator?** No, there is no removable aerator in this product.

**What size plumbing fittings are needed for the threaded legs?** This product will work with standard 3/4" plumbing fittings.

**What size are the connections for the shower hose?** The threaded connections on the shower hose are a standard 1/2" BSP connection.

**What is the recommended minimum pressure?** 0.2 Bar