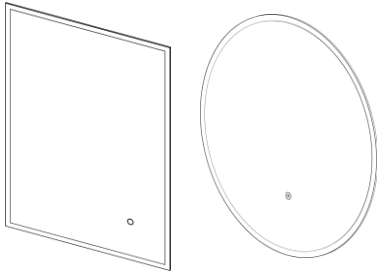


RHAPSODY



Box Contents:

Rhapsody Mirror – Instructions booklet | 2x wall plugs | 2x screws

Materials

Frame Material: Extruded Aluminium

Glass: 5mm PVC Backed

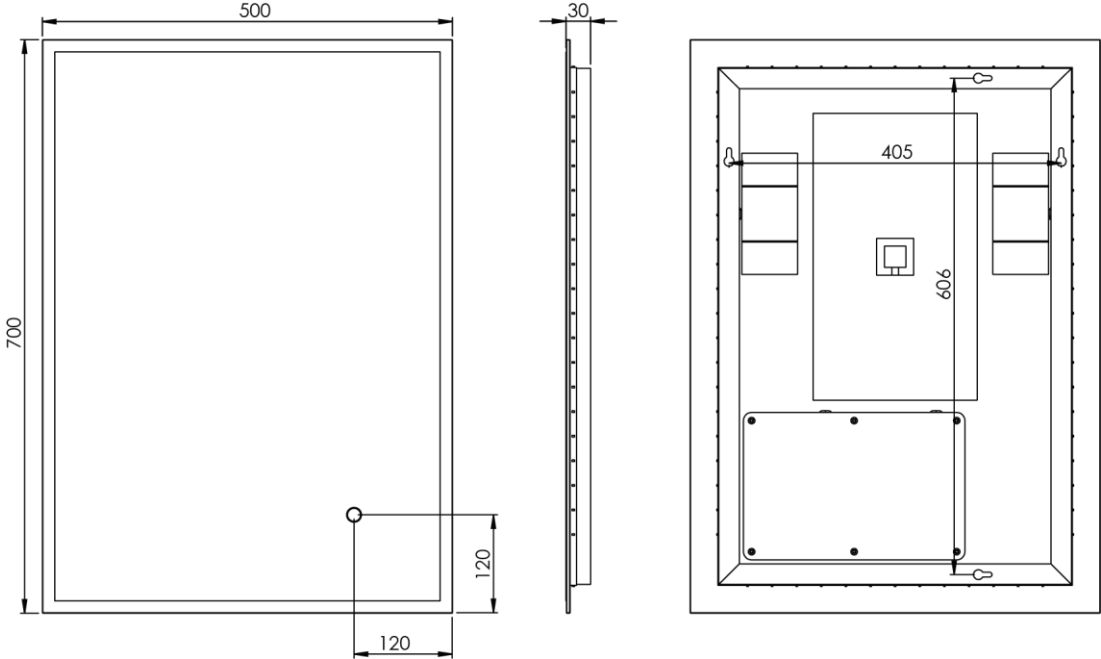
FAQ's:	Units	RHM050	RHM600C
Can the mirror be hung landscape?	-	Yes	No
What is the thickness of the mirror glass?	mm	5	
Is the mirror IP44 rated?	-	Yes – Suitable for use in bathroom zone 2	
What size fuse should I use?	-	Seek the advice of an electrician	
What is the total power consumption?	W	69.8	60
Does the mirror have an energy rating?	-	Yes – It has an energy rating of: F	
What is the colour of the light and the Kelvin rating?	K	6000	
What is the Lumen of the LEDs? *	Lms	5000	
What is the wattage of the lights?	W	25.8	24
Where is the Touch sensor located?	-	Lower Right	Front middle
Can the LED lighting be replaced?	-	No**	
Can the Touch sensor be replaced?	-	Yes	
What is the output of the demister pad?	W	14	6
What are the dimensions of the demister pad? (L x W)	mm	200 X 350	200 X 200
How do I turn on the demister pad?	-	The demister pad will turn on when the LEDs are turned on.	
Are illuminated mirrors supplied with mains cable?	-	All illuminated mirrors are supplied with a removeable 500mm mains cable.	
Bluetooth® Version	V	V5.0	V5.0
Bluetooth® Range	m	7 – 10 (Dependant on location of installation)	
Bluetooth® Control	-	Power button for BT on/off. Use phone to change volume and tracks.	
Bluetooth® Device Memory	-	The mirror can remember up to 4 devices. Only 1 device can be connected at a time.	

5 Year Guarantee

We have complete confidence in this R2 bathroom Mirror and as such it is offered with a 5-year guarantee against defects in manufacture. The electronics are covered by our 2-year guarantee. In the unlikely event that this product should fail during the guarantee period we will either replace the faulty part or the complete unit as appropriate.

Dimensions are subject to change; customers are advised to measure actual product before commencing installation.
 Fixing point dimensions are for guidance only/the positions of wall fixing must be checked when product is received.
 *The Lumen represents the output of the LED. This may vary depending on the diffuser material i.e., glass or acrylic.
 **The LEDs are not replaceable to maintain the integrity of the product's resistance to moisture ingress.

RHM050



RHM600C

