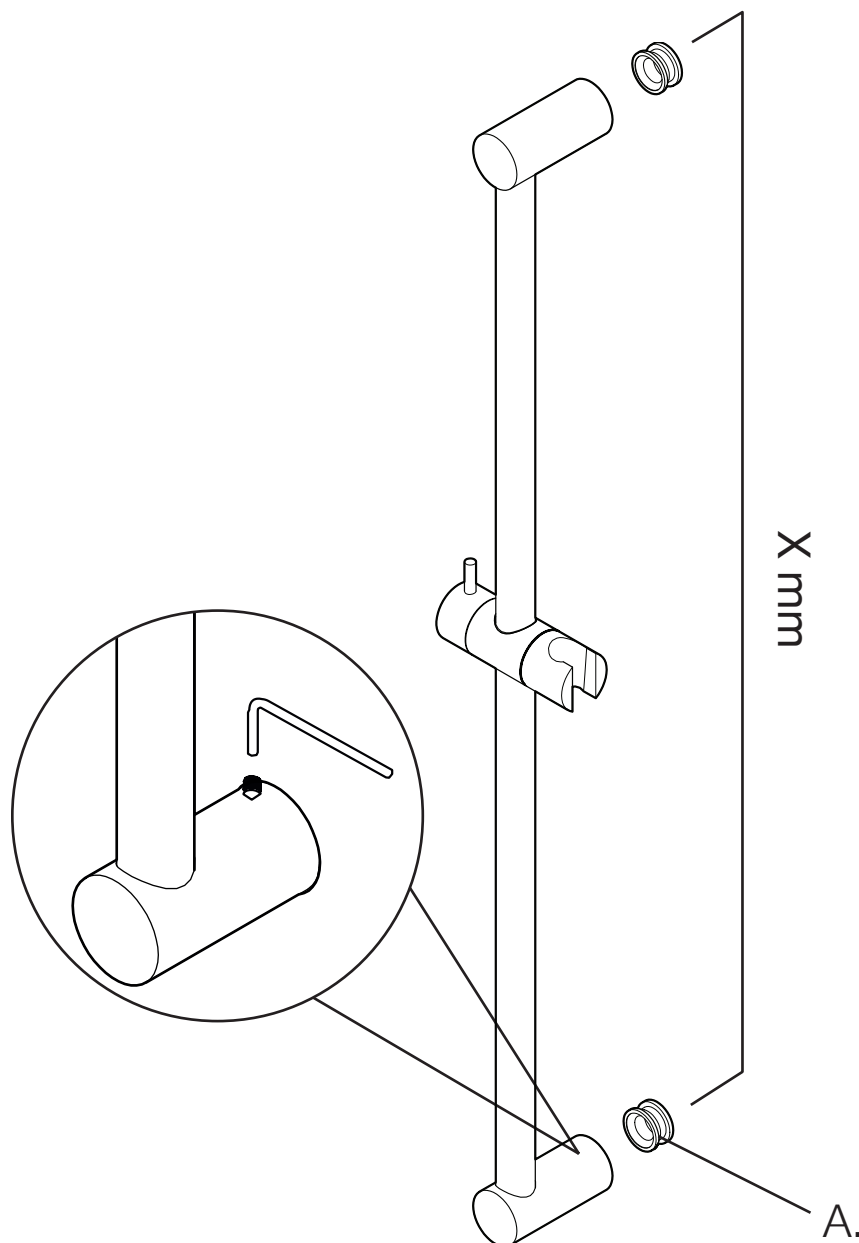


Riser Rail - Installation Instructions

Wear suitable eye protection when drilling. Take care when using power tools near water - the use of a residual current device (RCD) is advised. Beware of hidden cables or pipes. Take care if drilling on tiled surfaces in case the drill slips. A piece of masking tape applied to the wall before marking out the fixing holes will stop the drill from wandering.



1. Measure the distance (X) between the centre points of the wall brackets and use masking tape to mark the bracket fixing positions on the wall. Ensure that the marks are vertically level to ensure the riser rail will be straight. Drill appropriate sized holes at the marked positions.
2. Remove the wall fixings (A) from both brackets using an allen key to undo the grub screw fixing. Secure both wall fixings to the wall with the wall plugs and fixing screws provided. Each fixing has a slotted fixing hole to allow for some small adjustment.
3. Offer the riser rail onto both of the wall fixings, ensuring the both fixings are completely inserted into each bracket. Fix both brackets in place with the grub screw fixings. Installation is now complete.

AFTERCARE INSTRUCTIONS

Whilst this item has a high quality durable finish, it should nevertheless be treated with care. Surfaces should be cleaned using only a soft damp cloth and clean water & dried using a soft cotton cloth. Do not use an abrasive material such as a brush or scouring pad to clean the surface. The use of abrasive cleaners, alcohol or disinfectants will alter the surface finish and void the warranty.

Do not allow products such as toothpaste, shaving cream, drain and glass cleaners to remain on the surface. Prolonged contact with these products will alter surface finishes and void the warranty.