

TECHNICAL DATA SHEET

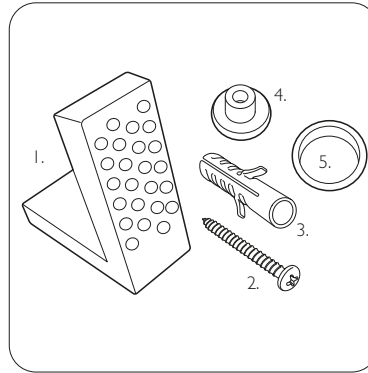
Compass Round Back To Wall WC Pan - BTWI150S

TAVISTOCK

NO.	Description	Product Code	Fixings included	Gross Weight
1	Soft Close Slim Toilet Seat	TSI155S-SF	YES	2.7KG
2	Back to Wall WC	BTWI150S	YES	28KG



Floor Fixings

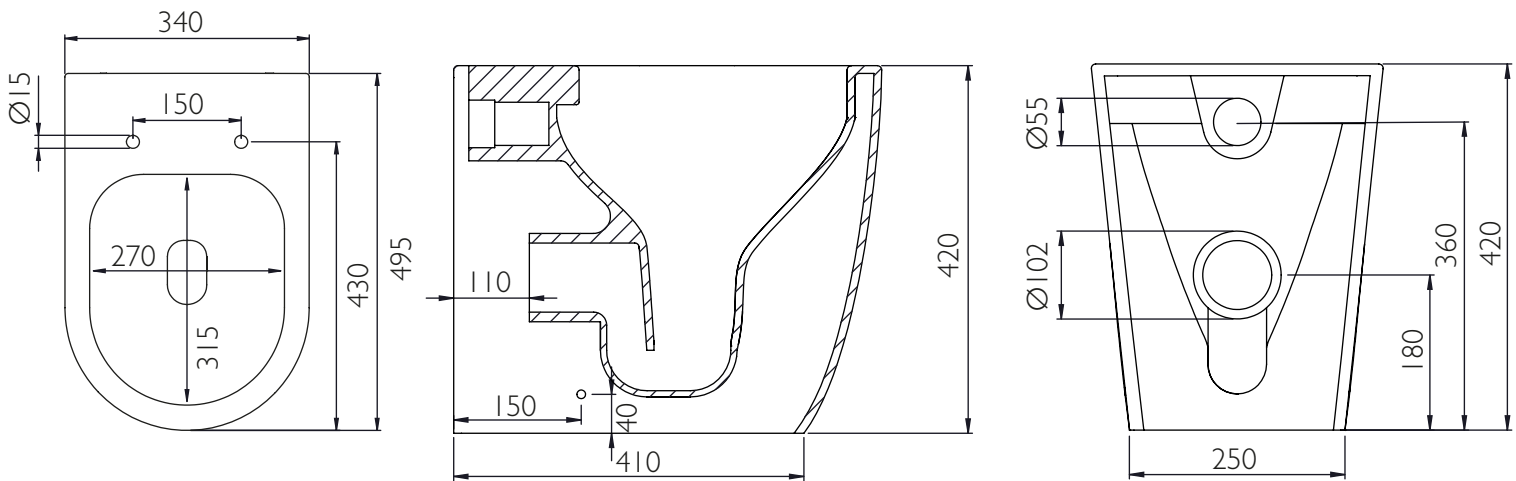


- 1. 2x Nylon Floor Bracket
- 2. 4x Stainless Steel Screws
- 3. 2x Nylon Screw Plugs
- 4. 2x Nylon Screw Collars
- 5. 2x Nylon Collars Caps (Metalic Finish)

Spare Code: SPI1078

DIMENSIONS

DIAGRAMS NOT TO SCALE | ALL DIMENSIONS IN MM TOLERANCE OF ± 5MM
ALL PRODUCTS CONFORM TO BRITISH STANDARDS



*Dimensions are subject to change, customers are advised to measure actual product before commencing installation.

**Fixing point dimensions are for guidance only. The positions of fixings must be checked when product is received.

FAQs

Q - Are there any other compatible seats?
A - No

Q - Which concealed cistern do I use?
A - Vortex (VOR790) or Cascade (TR9002), depending on whether the water feed is bottom or side access. An In-Wall cistern (TR9009) is available for tiled-in installations.

Q - Is this WC rimless or box rim?
A - Rimless

Q - What finish is the ceramic glaze?
A - Keramik White

Key Dimensions Descriptions	Key Dimensions (mm)
Front to Back Footprint	410mm
Left to Right Footprint	250mm
Bowl Front to Back	315mm
Bowl Left to Right	270mm
Pan Height	420mm
Pan Overall front to Back	495mm
Centre Flush Inlet to Floor	360mm
Centre Waste Outlet to Floor	180mm
Width of Void	180mm
Is there a Ceramic Brace Bar	No
Distance from Spigot to back of Pan	110mm