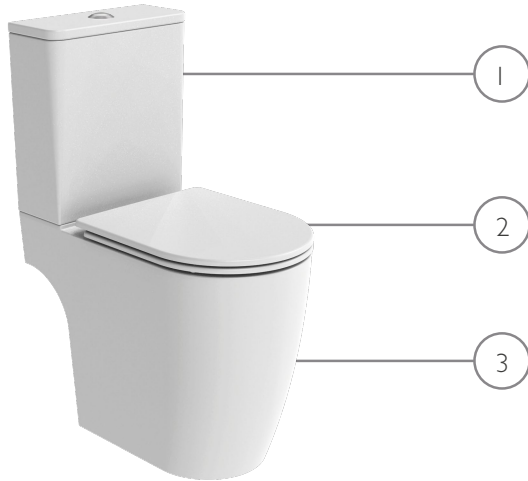


TECHNICAL DATA SHEET

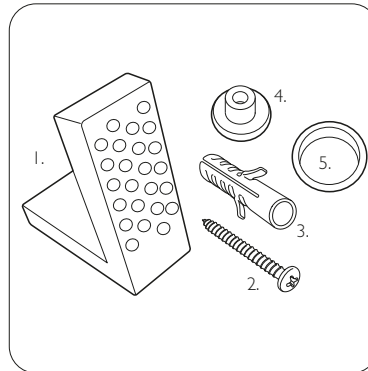
Compass Round Comfort Open Back Closed Coupled WC

TAVISTOCK

NO.	Description	Product Code	Fixings included	Gross Weight
1	Close Coupled Cistern	C1050S	YES	13KG
2	Soft Close Slim Toilet Seat	TS1155S-SF	YES	2KG
3	Open Back WC	PC1150S	YES	34KG



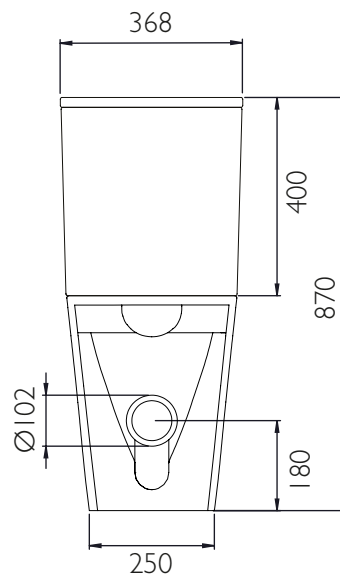
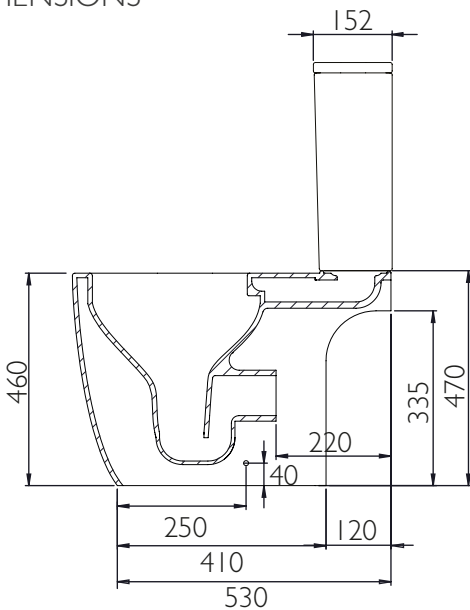
Floor Fixings



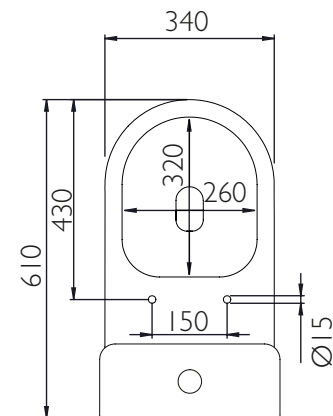
- 1. 2x Nylon Floor Bracket
- 2. 4x Stainless Steel Screws
- 3. 2x Nylon Screw Plugs
- 4. 2x Nylon Screw Collars
- 5. 2x Nylon Collar Caps (Metalic Finish)

Spare Code: SP11078

DIMENSIONS



DIAGRAMS NOT TO SCALE | ALL DIMENSIONS IN MM TOLERANCE OF ± 5MM
ALL PRODUCTS CONFORM TO BRITISH STANDARDS



*Dimensions are subject to change, customers are advised to measure actual product before commencing installation.
**Fixing point dimensions are for guidance only. The positions of fixings must be checked when product is received.

FAQs

Q - Where is the inlet valve?
A - Bottom inlet, back right of the pan.

Q - What is the flush volume?
A - 6/4L

Q - Can this pan be used with a side connection outlet pipe?
A - Yes.

Q - Are there any other compatible seats?
A - No

Q - Is this WC rimless or box rim?
A - Rimless

Q - What finish are the hinge covers supplied with the seat?
A - Chrome

Q - Can the seat hinges be upgraded to a different finish?

A - Yes using DC4032 (black), DC4033 (brushed brass) or DC4034 (gunmetal)

Q - What colour finish is the seat?
A - Keramik White

Key Dimensions Descriptions	Key Dimensions (mm)
Front to Back Footprint	410mm/530mm from wall
Left to Right Footprint	250mm
Bowl Front to Back	320mm
Bowl Left to Right	260mm
Pan Height	460mm
Pan Overall Front to Back	610mm
Centre Waste Outlet to Floor	220mm
Width of Void	180mm
Is there a Ceramic Brace Bar	No
Distance from Spigot to Wall	220mm