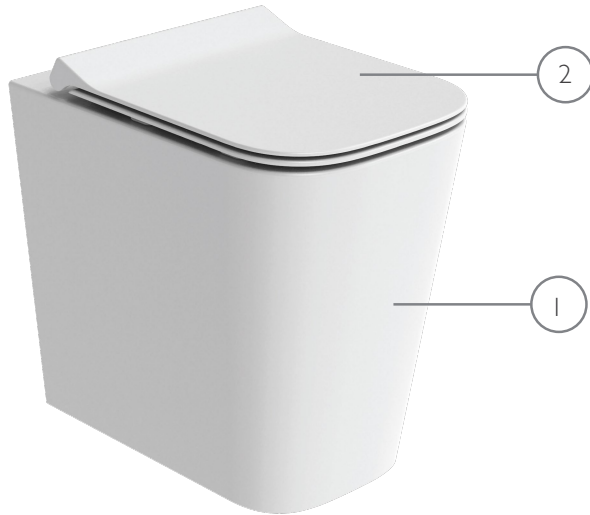


# TECHNICAL DATA SHEET

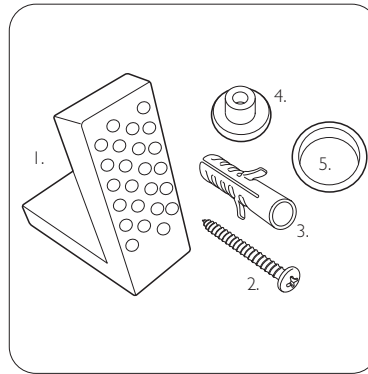
Compass Square BTW WC

# TAVISTOCK

NO.	Description	Product Code	Fixings included	Gross Weight
1	BTW Pan	BTW1050S	YES	33KG
2	Soft Close Quick Release Toilet Seat	TS1055S-SF	YES	3KG



### Floor Fixings

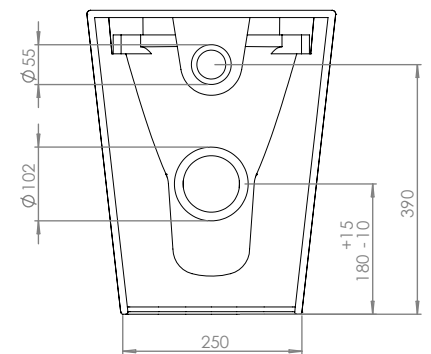
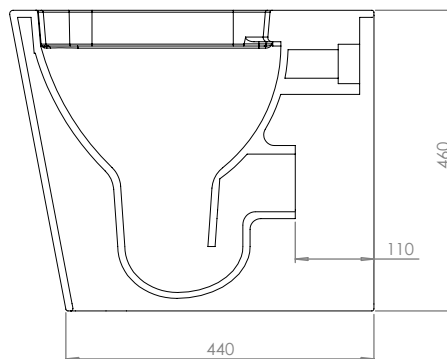
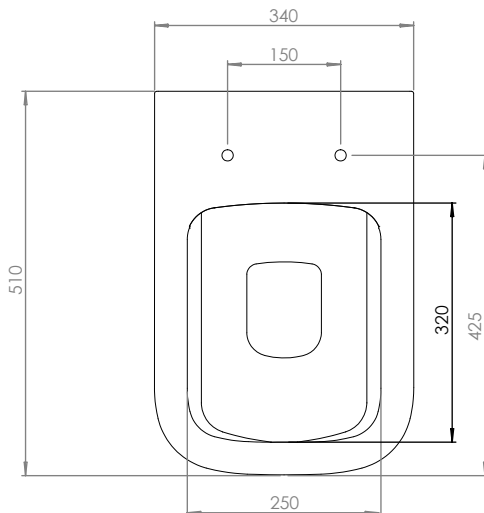


- 1. 2x Nylon Floor Bracket
- 2. 4x Stainless Steel Screws
- 3. 2x Nylon Screw Plugs
- 4. 2x Nylon Screw Collars
- 5. 2x Nylon Collar Caps (Metalic Finish)

Spare Code: SP14211

## DIMENSIONS

DIAGRAMS NOT TO SCALE | ALL DIMENSIONS IN MM TOLERANCE OF ± 5MM  
ALL PRODUCTS CONFORM TO BRITISH STANDARDS



\*Dimensions are subject to change, customers are advised to measure actual product before commencing installation.

\*\*Fixing point dimensions are for guidance only. The positions of fixings must be checked when product is received.

## FAQs

Q - Rim Type?  
A - Rimless

Q - What is the flush volume?  
A - 6/3L when using a TR9008 comfort height cistern

Q - Are there any other compatible seats?  
A - Yes, a wrap over seat option is available using code TS1050S-SF

Q - What finish is the ceramic glaze?  
A - Keramik White

Key Dimensions Descriptions	Key Dimensions (mm)
Front to Back Footprint	440mm
Left to Right Footprint	250mm
Bowl Front to Back	320mm
Bowl Left to Right	250mm
Pan Height	460mm
Pan Overall Front to Back	510mm
Centre Waste Outlet to Floor	180mm + 15mm - 10mm
Width of Void	220mm
Is there a Ceramic Brace Bar	No
Distance from Spigot to back of Pan	110mm