

TECHNICAL DATA SHEET

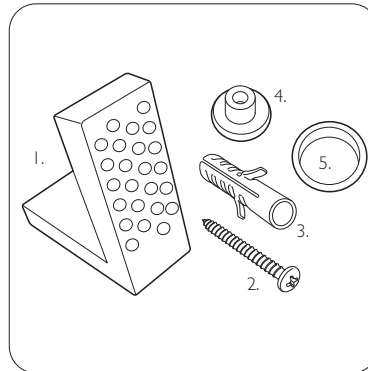
Compass Square Comfort Fully Enclosed CC WC

TAVISTOCK

NO.	Description	Product Code	Fixings included	Gross Weight
1	Close Coupled Cistern	CI050S	YES	13KG
2	Soft Close Quick Release Seat	TSI050S-SF	YES	3KG
3	Comfort Fully Enclosed CC WC	PCFI050S	YES	37KG



Floor Fixings



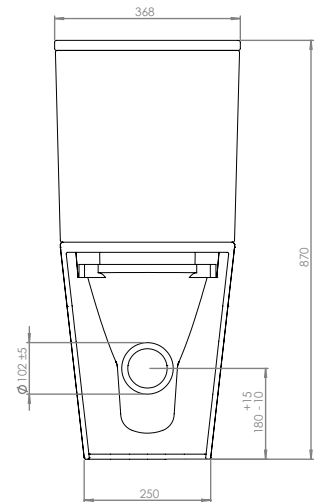
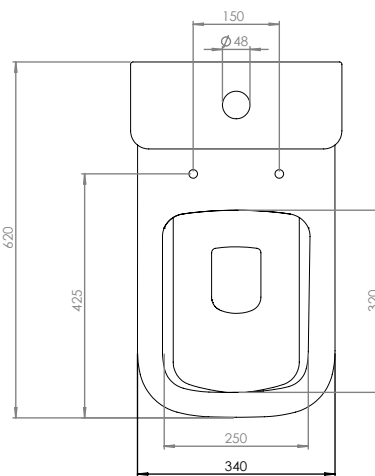
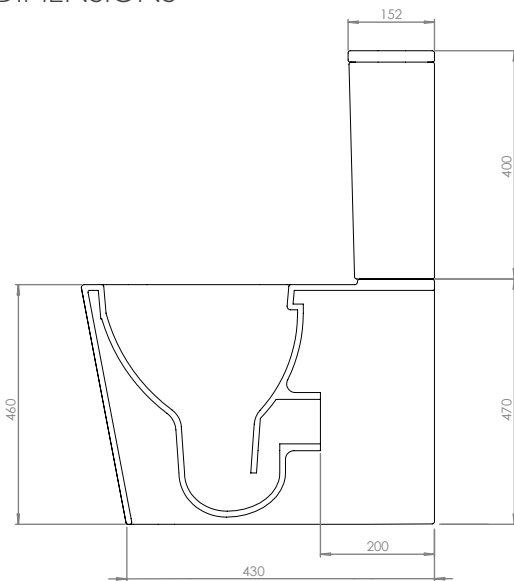
- 1. 2x Nylon Floor Bracket
- 2. 4x Stainless Steel Screws
- 3. 2x Nylon Screw Plugs
- 4. 2x Nylon Screw Collars
- 5. 2x Nylon Collars Caps (Metalic Finish)

Spare Code: SP14211

DIMENSIONS

DIAGRAMS NOT TO SCALE | ALL DIMENSIONS IN MM TOLERANCE OF ± 5 MM

ALL PRODUCTS CONFORM TO BRITISH STANDARDS



*Dimensions are subject to change, customers are advised to measure actual product before commencing installation.

**Fixing point dimensions are for guidance only. The positions of fixings must be checked when product is received.

FAQs

Q - Where is the inlet valve?
A - Bottom inlet, back right of pan.

Q - What is the flush volume?
A - 6/4L

Q - Are there any other compatible seats?
A - Yes, a wrap over seat option is available, TSI050S-SF.

Q - Rim Type?
A - Rimless

Q - Are there replacement buttons?
A - Yes, compatible with black/brass

Q - What finish is the ceramic glaze?
A - Keramik White

Q - What finish is the flush button supplied with the cistern?
A - Chrome

Q - Can the flush button be upgraded to a different finish?
A - Yes using TR9027 (black), TR9039 (brushed brass) or TR9048 (gun metal)

Key Dimensions Descriptions	Key Dimensions (mm)
Front to Back Footprint	430mm from wall
Left to Right Footprint	250mm
Bowl Front to Back	320mm
Bowl Left to Right	250mm
Pan Height (+Cistern)	460mm (870mm)
Pan Overall Front to Back	620mm
Centre Waste Outlet to Floor	180mm + 15mm - 10mm
Width of Void	220mm
Is there a Ceramic Brace Bar	No
Distance from Spigot to back of Pan	200mm