

TECHNICAL DATA SHEET

Compass Square Soft Close Wrap-Over Toilet Seat - TS1050S-SF

TAVISTOCK

NO.	Description	Product Code	Fixings included	Gross Weight
I	Soft Close Wrap-Over Toilet Seat	TS1050S-SF	YES	2.7KG



Spares Codes:

Secure Fix Hinge Fixing Kit (No Template) - SP22045

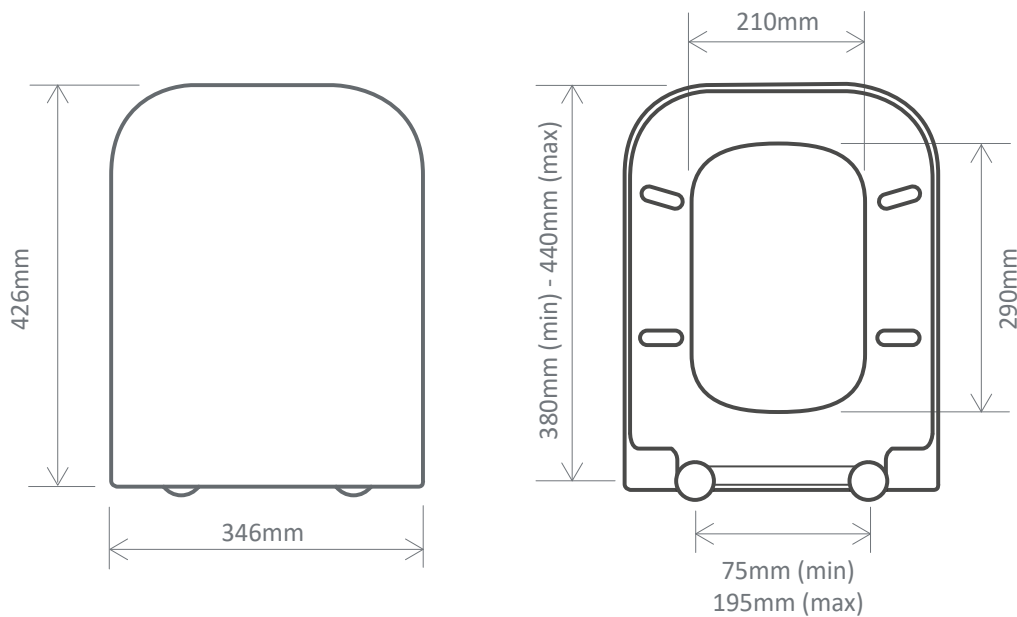
Secure Fix Template - SP22049

Wrap Over Lid Buffer Pack - SP22052

Wrap Over Seat Ring Buffer Pack - SP22053

DIMENSIONS

DIAGRAMS NOT TO SCALE | ALL DIMENSIONS IN MM TOLERANCE OF ± 5MM
ALL PRODUCTS CONFORM TO BRITISH STANDARDS



*Dimensions are subject to change, customers are advised to measure actual product before commencing installation.

FAQs

Q - What's the maximum test load of the seat?

A - 150kg

Q - What are the fixings made from?

A - Stainless Steel Cover Plates/Screws, Nylon Anchor Plates, Rubber Washers, Rubber Fixing Plugs.

Q - What finish are the hinge covers supplied with the seat?

A - Chrome

Q - Can the seat hinges be upgraded to a different finish?

A - Yes using DC4032 (black), DC4033 (brushed brass) or DC4034 (gunmetal)

Q - What colour finish is the seat?

A - Keramik White

Key Dimensions Descriptions	Key Dimensions (mm)
Seat/Lid Front to Back	426mm
Seat/Lid Left to Right	346mm
Ring Hole Front to Back	290mm
Ring Hole Left to Right	210mm
Seat Overall Thickness	47mm
Width of Back of Seat	346mm