

TECHNICAL DATA SHEET

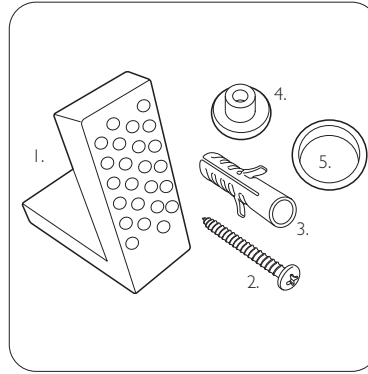
Compass Square Wall Hung WC

TAVISTOCK

NO.	Description	Product Code	Fixings included	Gross Weight
1	Wall Hung Pan	WH1050S	YES	26KG
2	Soft Close Quick Release Toilet Seat	TS1055S-SF	YES	3KG



Floor Fixings

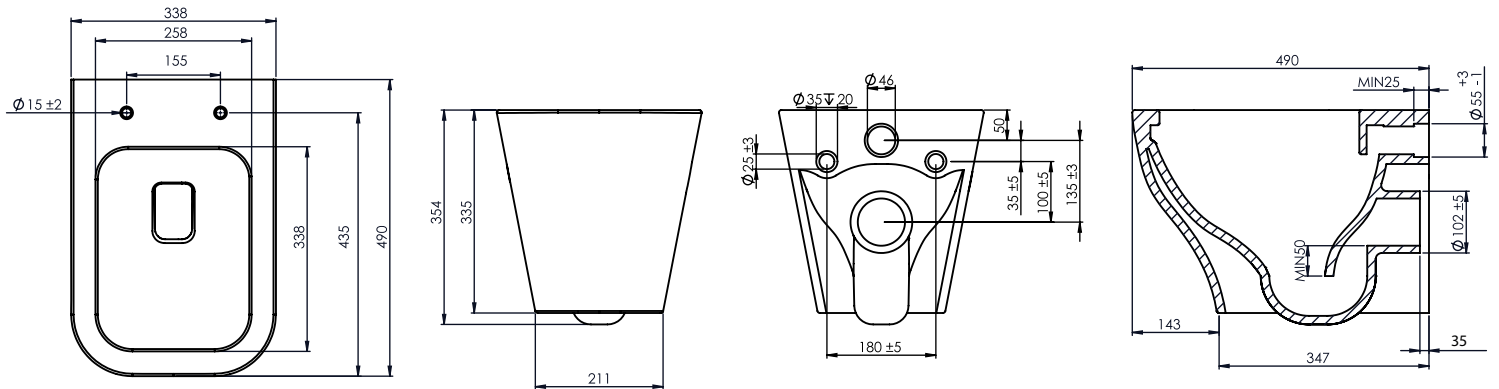


- 1. 2x Nylon Floor Bracket
- 2. 4x Stainless Steel Screws
- 3. 2x Nylon Screw Plugs
- 4. 2x Nylon Screw Collars
- 5. 2x Nylon Collars Caps (Metalic Finish)

Spare Code: SP14211

DIMENSIONS

DIAGRAMS NOT TO SCALE | ALL DIMENSIONS IN MM TOLERANCE OF ± 5 MM
ALL PRODUCTS CONFORM TO BRITISH STANDARDS



*Dimensions are subject to change, customers are advised to measure actual product before commencing installation.

**Fixing point dimensions are for guidance only. The positions of fixings must be checked when product is received.

FAQs

Q - Do I need to use a wall hung frame?
A - Yes. It is essential that this product is installed onto a frame

Q - How do I access the fixing bolts?
A - Through holes in the side of the WC.

Q - Are there any other compatible seats?
A - Yes a wrap over option is available TS1050S-SF.

Q - What finish is the ceramic glaze?
A - Keramik White

Key Dimensions Descriptions	Key Dimensions (mm)
Front to Back Footprint	347mm
Left to Right Footprint	211mm
Bowl Front to Back	338mm
Bowl Left to Right	258mm
Pan Height	354mm
Pan Overall Front to Back	490mm