

TECHNICAL DATA SHEET

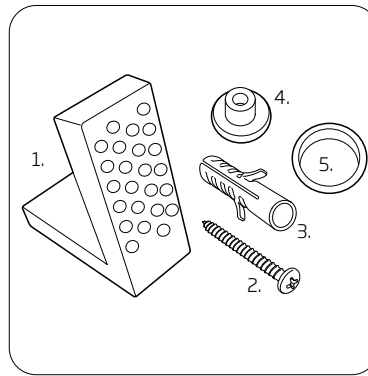
Contour CC Fully Enclosed WC Pan - CNCCPAN

R2

NO.	Description	Product Code	Fixings included	Gross Weight
1	CC Cistern	CNCCTNK	YES	13KG
2	Soft Close Toilet Seat	COSCTS	YES	2KG
3	CC Fully Enclosed WC	CNCCPAN	YES	31KG



Floor Fixings

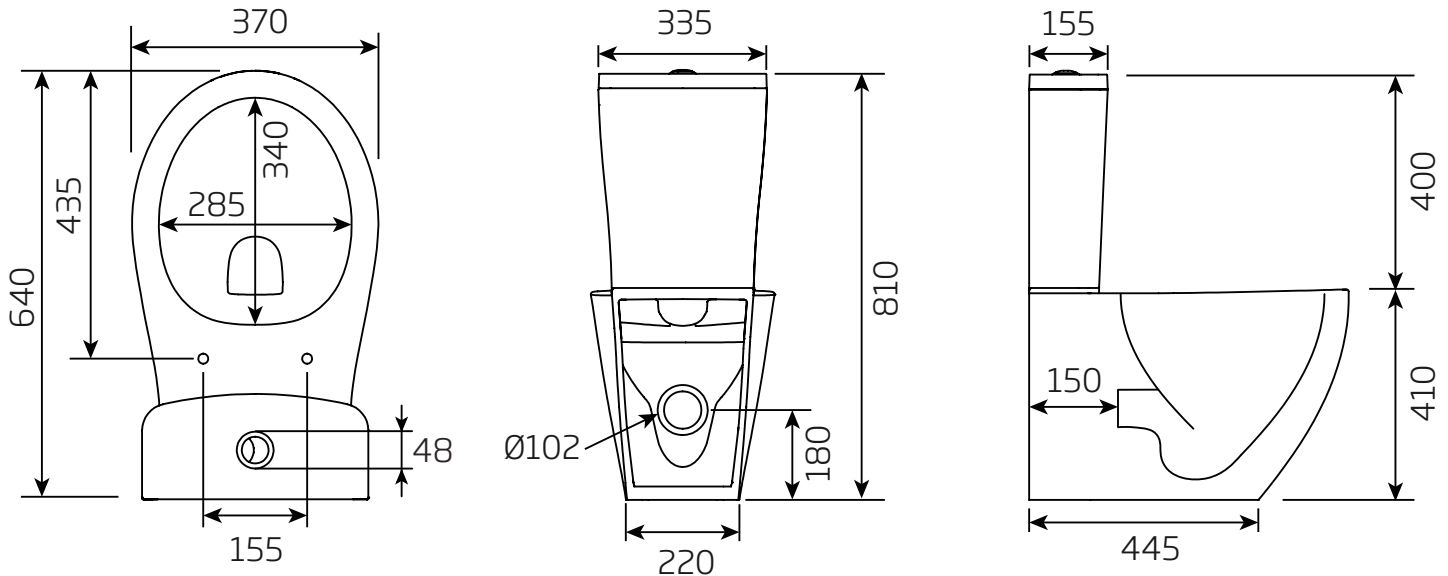


- 1. 2x Nylon Floor Bracket
- 2. 4x Stainless Steel Screws
- 3. 2x Nylon Screw Plugs
- 4. 2x Nylon Screw Collars
- 5. 2x Nylon Collar Caps (Metalic Finish)

Spare Code: SP14211

DIMENSIONS

DIAGRAMS NOT TO SCALE | ALL DIMENSIONS IN MM TOLERANCE OF ± 5MM
ALL PRODUCTS CONFORM TO BRITISH STANDARDS



*Dimensions are subject to change, customers are advised to measure actual product before commencing installation.
**Fixing point dimensions are for guidance only. The positions of fixings must be checked when product is received.

FAQs

Q - Where is the inlet valve?
A - Bottom inlet, back right of the pan

Q - What is the flush volume?
A - 5/3L

Q - Are there any other compatible seats?
A - Yes, Neutron seat (8901WSC-SF).

Q - Rim type?
A - Rimless

Q - Does the inlet come with an air gap conforming inlet valve?
A - Yes

Q - What is the inlet hole diameter?
A - 24mm, inlet valve uses 1/2" BSP

Q - What finish is the Ceramic Glaze?
A - Alpine White

Q - Can the chrome flush button be upgraded to a different finish?
A - Yes, using TR9027(black) or TR9039 (brushed brass) or gunmetal (TR9048)

Key Dimensions Descriptions	Key Dimensions (mm)
Front to Back Footprint	445mm
Left to Right Footprint	220mm
Bowl Front to Back	340mm
Bowl Left to Right	285mm
Pan Height (+cistern)	410mm(810mm)
Pan Overall front to Back	640mm
Centre Waste Outlet to Floor	180mm
Width of Void	180mm
Is there a Ceramic Brace Bar	No
Distance from Spigot to back of Pan	150mm
Cistern fixing holes centres & diameter	130mm centres, 15mm d
Cistern outlet diameter	65mm