

TECHNICAL DATA SHEET

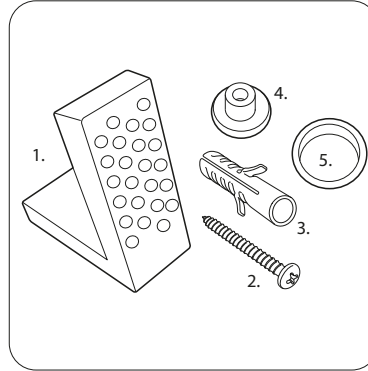
Debut Back To Wall WC Pan - DBWPAN

ROPER RHODES®
TRADE SOLUTIONS

NO.	Description	Product Code	Fixings included	Gross Weight
1	Soft Close Toilet Seat	DSCTS2	YES	2.6KG
2	Back to Wall WC	DBWPAN	YES	25.9KG



Floor Fixings

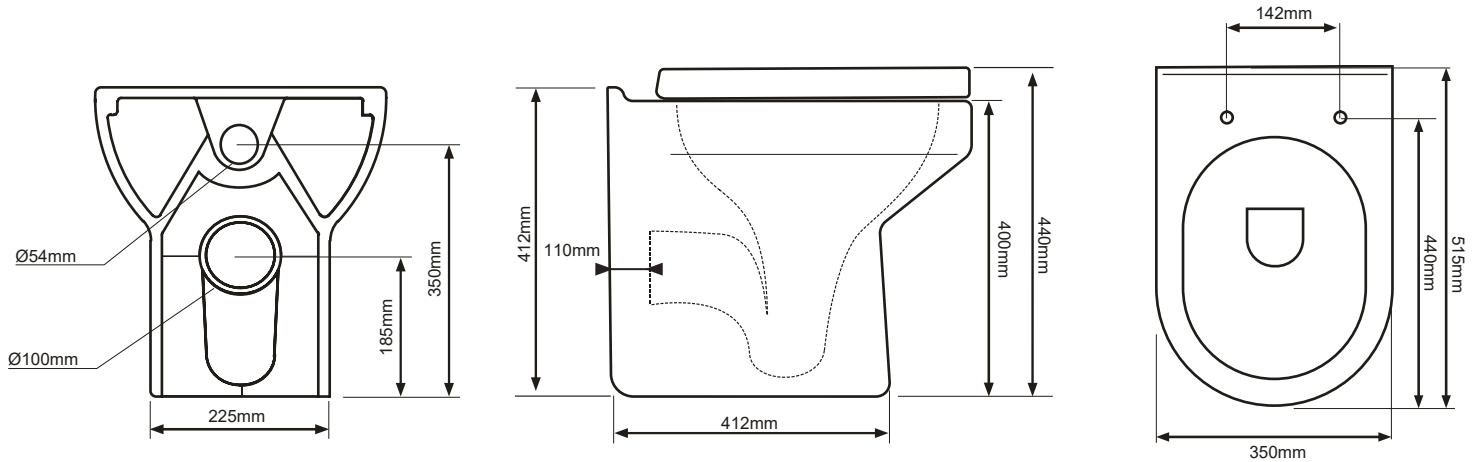


- 1. 2x Nylon Floor Bracket
- 2. 4x Stainless Steel Screws
- 3. 2x Nylon Screw Plugs
- 4. 2x Nylon Screw Collars
- 5. 2x Nylon Collar Caps (Metalic Finish)

Spare Code: SP14211

DIMENSIONS

DIAGRAMS NOT TO SCALE | ALL DIMENSIONS IN MM TOLERANCE OF ± 5MM
ALL PRODUCTS CONFORM TO BRITISH STANDARDS



*Dimensions are subject to change, customers are advised to measure actual product before commencing installation.

**Fixing point dimensions are for guidance only. The positions of fixings must be checked when product is received.

FAQs

Q - Are there any other compatible seats?
A - Yes: RASCTS Slim Seat/8903WSC-SF Diode Seat

Q - Which concealed cistern do I use?
A - Torrent (TR9001) or Cascade (TR9002), depending on whether the water feed is bottom or side access. An In-Wall cistern (TR9009) is available for tiled-in installations.

Q - Rim style?
A - Rimless

Q - What finish is the ceramic glaze?
A - Alpine White

Key Dimensions Descriptions	Key Dimensions (mm)
Front to Back Footprint	412mm
Left to Right Footprint	225mm
Bowl Front to Back	375mm
Bowl Left to Right	275mm
Pan Height	400mm
Pan Overall front to Back	515mm
Centre Flush Inlet to Floor	350mm
Centre Waste Outlet to Floor	185mm
Width of Void	200mm
Is there a Ceramic Brace Bar	No
Distance from Spigot to back of Pan	110mm