

# TECHNICAL DATA SHEET

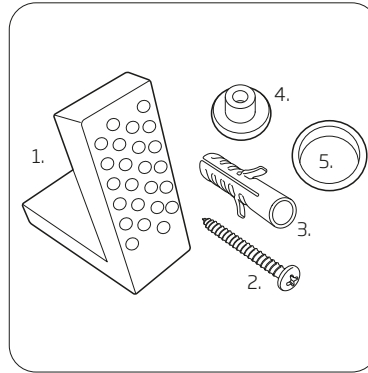
## Debut Comfort Height Back To Wall WC Pan - DCBW PAN

ROPER RHODES®  
TRADE SOLUTIONS

NO.	Description	Product Code	Fixings included	Gross Weight
1	Soft Close Toilet Seat	DSCTS2	YES	2.6KG
2	Comfort Height Back to Wall WC	DCBW PAN	YES	27.3KG



### Floor Fixings

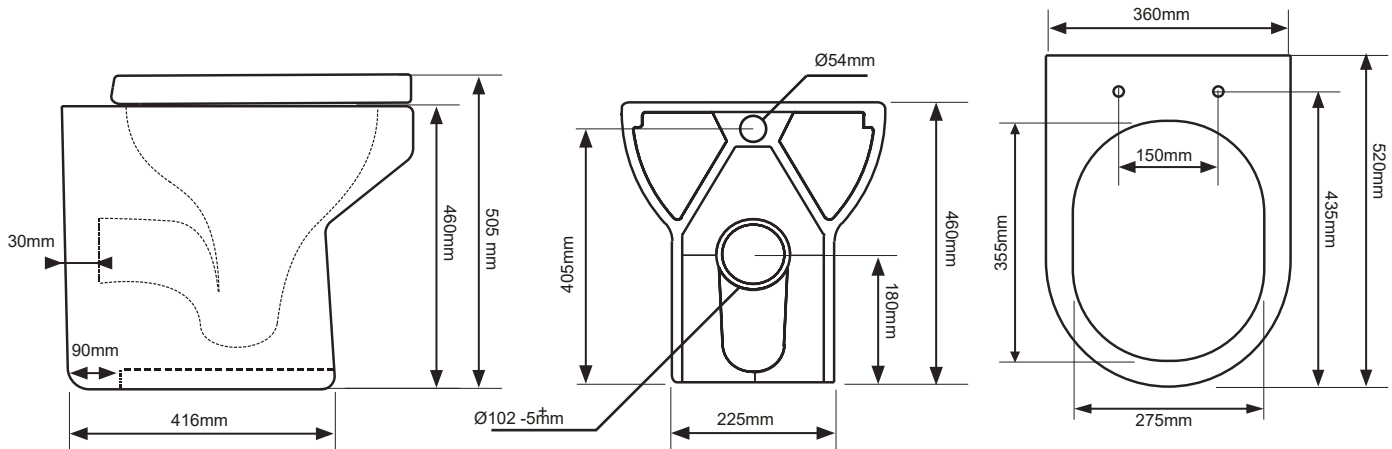


- 1. 2x Nylon Floor Bracket
- 2. 4x Stainless Steel Screws
- 3. 2x Nylon Screw Plugs
- 4. 2x Nylon Screw Collars
- 5. 2x Nylon Collars Caps (Metalic Finish)

Spare Code: SP14211

## DIMENSIONS

DIAGRAMS NOT TO SCALE | ALL DIMENSIONS IN MM TOLERANCE OF ± 5MM  
ALL PRODUCTS CONFORM TO BRITISH STANDARDS



\*Dimensions are subject to change, customers are advised to measure actual product before commencing installation.

\*\*Fixing point dimensions are for guidance only. The positions of fixings must be checked when product is received.

## FAQs

Q - Are there any other compatible seats?  
A - Yes: RASCTS Slim Seat/8903WSC Diode Seat

Q - Which concealed cistern do I use?  
A - Comfort height Cistern (TR9008)

Q - Rim type?  
A - Rimless

Q - What finish is the ceramic glaze?  
A - Alpine White

Key Dimensions Descriptions	Key Dimensions (mm)
Front to Back Footprint	416mm
Left to Right Footprint	225mm
Bowl Front to Back	355mm
Bowl Left to Right	275mm
Pan Height	460mm
Pan Overall front to Back	520mm
Centre Flush Inlet to Floor	405mm
Centre Waste Outlet to Floor	180mm
Width of Void	200mm
Is there a Ceramic Brace Bar	No
Distance from Spigot to back of Pan	30mm