

TECHNICAL DATA SHEET

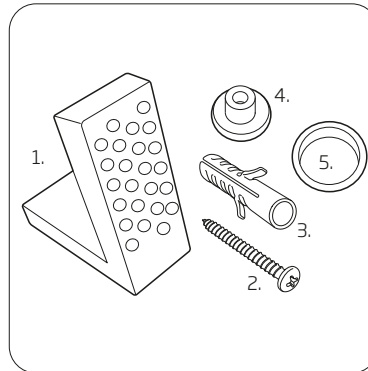
Debut Closed Coupled Open Back WC

ROPER RHODES®
TRADE SOLUTIONS

NO.	Description	Product Code	Fixings included	Gross Weight
1	Close Coupled Cistern	DCCTNK	YES	13KG
2	Soft Close Toilet Seat	DSCTS2	YES	2.6KG
3	Open Back WC	DCCPAN	YES	28KG



Floor Fixings

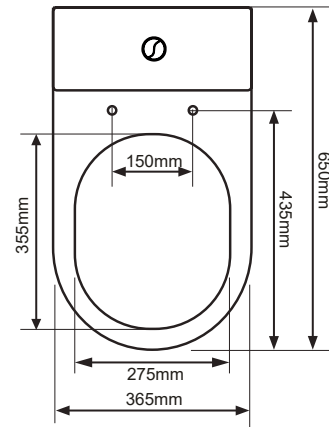
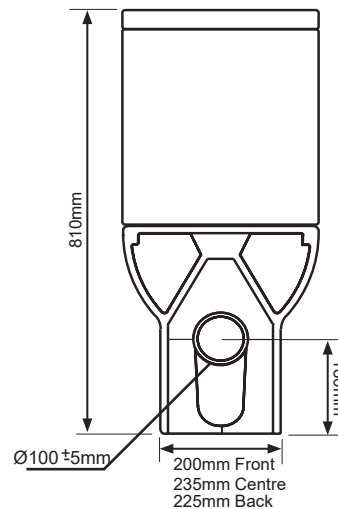
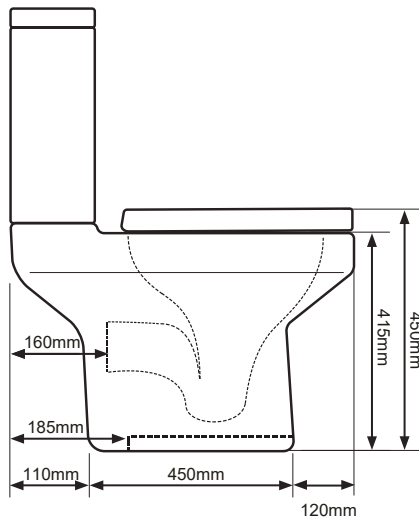


- 1. 2x Nylon Floor Bracket
- 2. 4x Stainless Steel Screws
- 3. 2x Nylon Screw Plugs
- 4. 2x Nylon Screw Collars
- 5. 2x Nylon Collar Caps (Metalic Finish)

Spare Code: SP14211

DIMENSIONS

DIAGRAMS NOT TO SCALE | ALL DIMENSIONS IN MM TOLERANCE OF ± 5MM
ALL PRODUCTS CONFORM TO BRITISH STANDARDS



*Dimensions are subject to change, customers are advised to measure actual product before commencing installation.
**Fixing point dimensions are for guidance only. The positions of fixings must be checked when product is received.

FAQs

Q - Where is the inlet valve?
A - Bottom inlet, back right of the pan.

Q - Rim type?
A - Rimless

Q - What is the flush volume?
A - 6/4L

Q - What finish is the ceramic glaze?
A - Alpine White

Q - Can this pan be used with a side connection outlet pipe?
A - Yes.

Q - What finish is the flush button supplied with the cistern?
A - Chrome

Q - Are there any other compatible seats?
A - Yes: RASCTS Slim Seat

Q - Can the flush button be upgraded to a different finish?
A - Yes using TR9026 (black) or TR9038 (brushed brass)

Key Dimensions Descriptions	Key Dimensions (mm)
Front to Back Footprint	450mm
Left to Right Footprint	225mm
Bowl Front to Back	355mm
Bowl Left to Right	275mm
Pan Height (+Cistern)	415mm (810mm)
Pan Overall Front to Back	650mm
Centre Waste Outlet to Floor	180mm
Width of Void	200mm
Is there a Ceramic Brace Bar	No
Distance from Spigot to back of Pan	160mm