

TECHNICAL DATA SHEET

Debut Soft Close Toilet Seat - DSCTS2

NO.	Description	Product Code	Fixings included	Gross Weight
1	Soft Close Toilet Seat	DSCTS2	YES	2.6KG



Spares Codes:

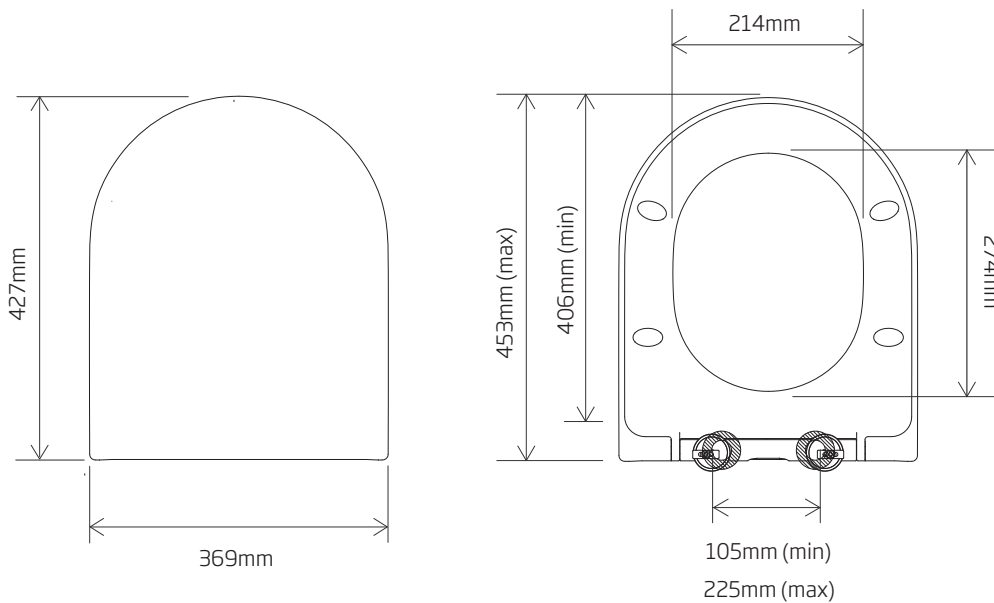
Debut Hinge Fixing Kit - SP17862

Debut Wrap Over Lid Buffer - SP18110

Debut Wrap Over Seat Ring Buffer - SP17852

DIMENSIONS

DIAGRAMS NOT TO SCALE | ALL DIMENSIONS IN MM TOLERANCE OF ± 5MM
ALL PRODUCTS CONFORM TO BRITISH STANDARDS



*Dimensions are subject to change, customers are advised to measure actual product before commencing installation.

FAQs

Q - What's the maximum test load of the seat?

A - 150kg

Q - What are the fixings made from?

A - Stainless Steel Cover Plates/Screws, Nylon Anchor Plates, Rubber Washers, Rubber Fixing Plugs.

Q - What finish are the hinge covers supplied with the seat?

A - Chrome

Q - Can the seat hinges be upgraded to a different finish?

A - Yes using DC4011 (black) or DC4012 (brushed brass)

Q - What colour finish is the seat?

A - Alpine White

Key Dimensions Descriptions	Key Dimensions (mm)
Seat/Lid Front to Back	450mm
Seat/Lid Left to Right	369mm
Ring Hole Front to Back	274mm
Ring Hole Left to Right	214mm
Seat Overall Thickness	45mm
Width of Back of Seat	353mm