

TECHNICAL DATA SHEET

Lansdown Moulded Wood Toilet Seat - Gloss White

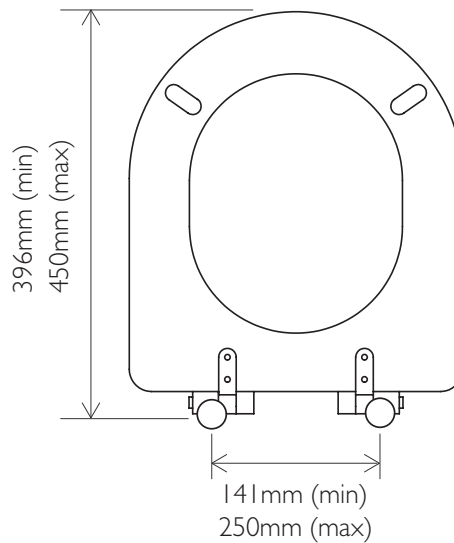
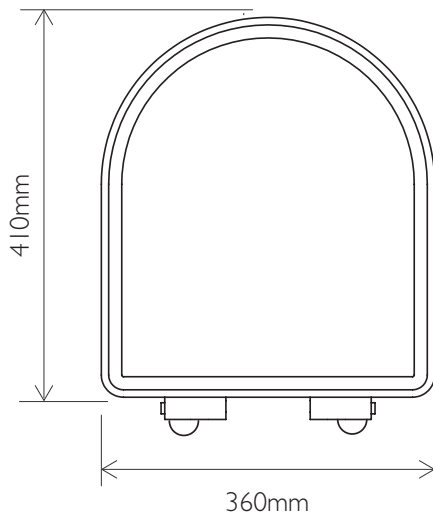
TAVISTOCK

NO.	Description	Product Code	Fixings included	Gross Weight	Net Weight
I	Lansdown Moulded Wood Toilet Seat	DC4035-SF	YES	3KG	N/A



DIMENSIONS - PRODUCT CODE

DIAGRAMS NOT TO SCALE | ALL DIMENSIONS IN MM | TOLERANCE OF ± 5 MM
ALL PRODUCTS CONFORM TO THE BRITISH FIXING STANDARDS



*Dimensions are subject to change, customers are advised to measure actual product before commencing installation.

**Fixing point dimensions are for guidance only/the positions of wall fixing must be checked when product is received.

FAQs

Q - What's the maximum test load of the seat?

A - 150kg

Q - What are the fixings made from?

A - Stainless Steel Cover Plates/Screws, Nylon Anchor Plates, Rubber Washers, Rubber Fixing Plugs.

Q - How thick is the seat?

A - 52mm

Q - What material is the seat made from?

A - Moulded Wood

Q - What finish are the hinges & covers supplied with the seat?

A - Chrome

Q - Can the seat hinges be upgraded to a different finish?

A - Yes using DC4025, the hinges can be upgraded to a brushed brass finish. This contains brass finished hinges, screws, cover caps and pins.